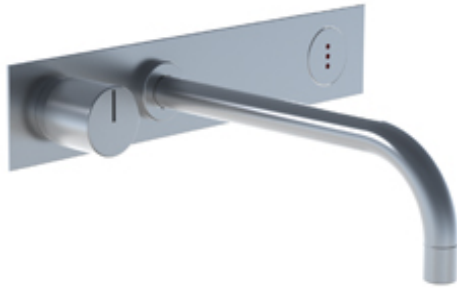


Date:

Client:

Project:

VOLA product: 4923



4923

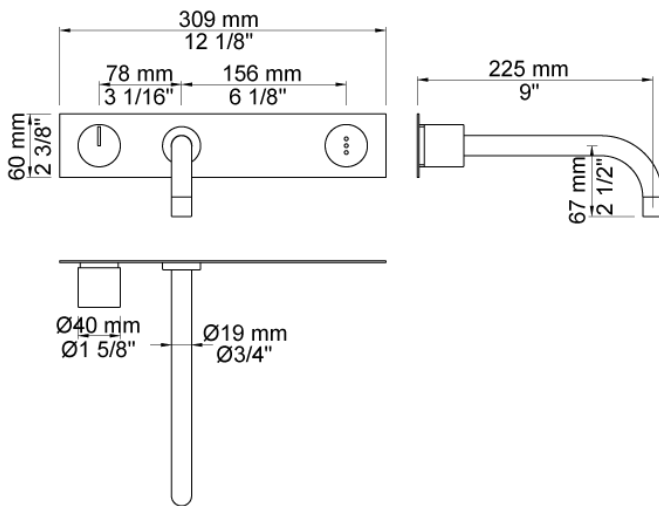
Build-in basin mixer with on-off sensor for 'hands free' operation.

Sensor aligned with wall.

Valve box VR2618 included.

4923UP = Mixer 4900.

4923AP = Handle NR41, sensor VR510, sensor cable VR509, 225 mm spout 020, cover plate 4003.



Available in colours

- Color 02, Grey
- Color 04, Light blue
- Color 05, Orange
- Color 06, Light green
- Color 08, Yellow
- Color 09, Dark grey
- Color 12, Mocca
- Color 14, Bright red
- Color 15, Dark blue
- Color 16, Polished chrome
- Color 17, Gloss black
- Color 18, White
- Color 19, Natural brass
- Color 20, Brushed chrome
- Color 21, Carmine red
- Color 25, Pink
- Color 27, Matt black
- Color 40, Brushed stainless steel



Date:

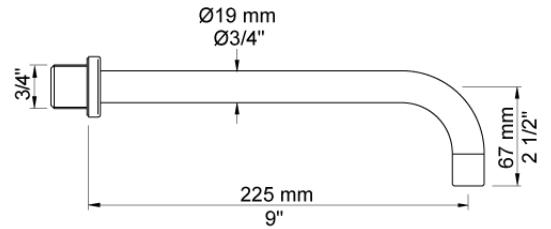
Client:

Project:

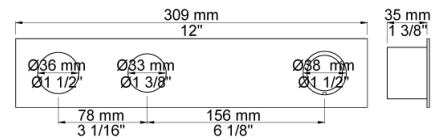
VOLA product: 4923



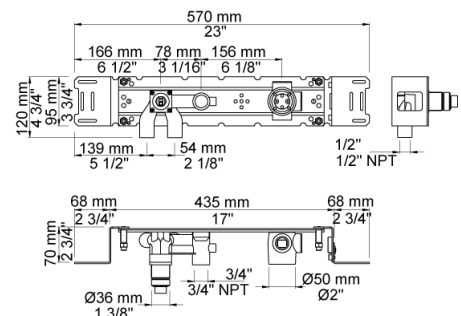
020
225 mm fixed spout with water saving aerator.



4003
Three-hole plate 60 x 309 mm.
Holes Ø36, Ø33 mm and Ø38 mm for 4900.



4900
Build-in basin mixer with on-off sensor for 'hands free' operation, with temperature regulation.
Valve box for electronic mixer, VR2618 enclosed.



Date:

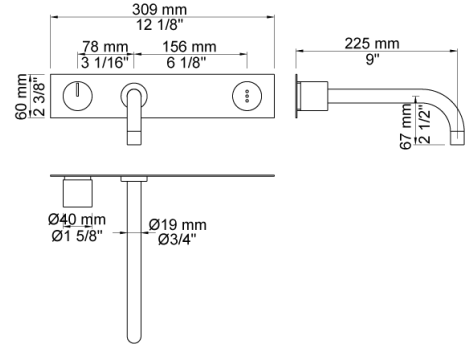
Client:

Project:

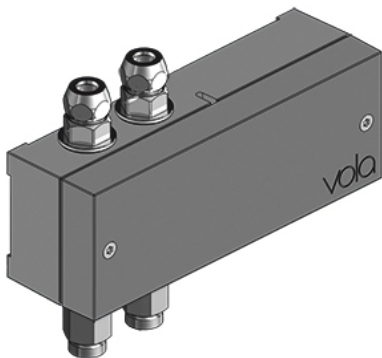
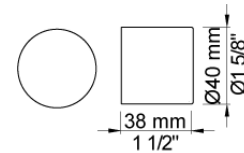
VOLA product: 4923



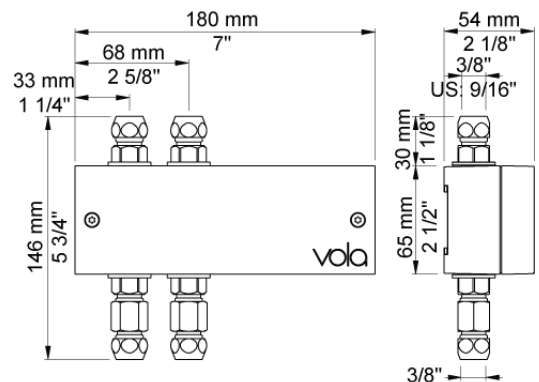
4923
Build-in basin mixer with on-off sensor for 'hands free' operation. Sensor aligned with wall.



NR41
Temperature control handle for wall-mounted electronic mixer 4100.



VR2618
Valve box for electronic HV1E/4100/4900



Date:

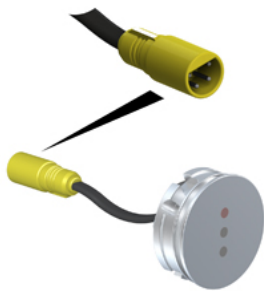
Client:

Project:

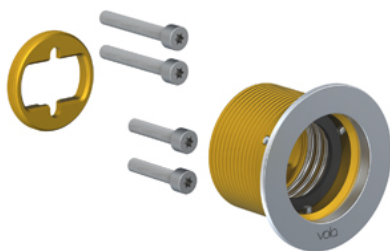
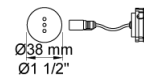
VOLA product: 4923



VR509



VR510
Sensor for electronic mixer 4300, 4800 and 4900.



VR512
[no product text]

