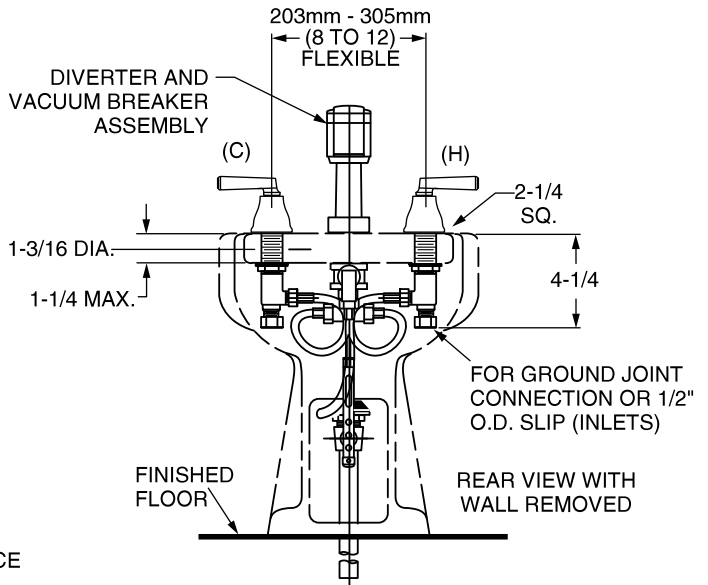
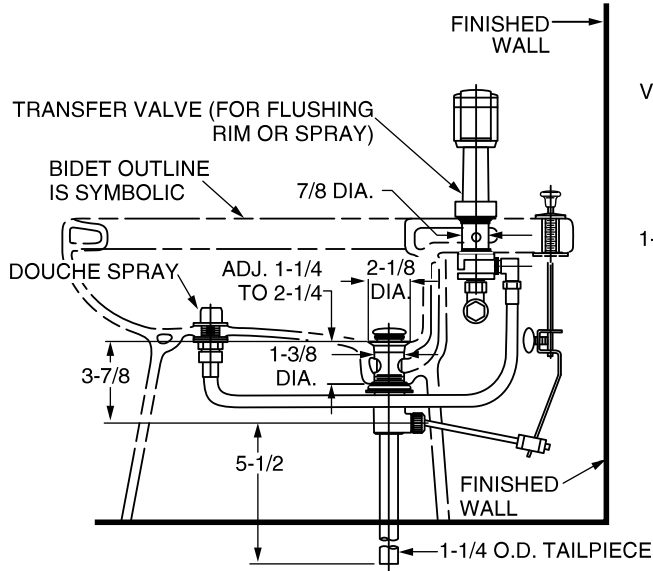


**MODEL NUMBER:**

- 2555.401 Fixture-Mounted Bidet Fitting**  
 Vacuum breaker. Pop-up drain. Metal Lever handles.
- 2555.400 Fixture-Mounted Bidet Fitting**  
 Less vacuum breaker. Pop-up drain. Metal Lever handles.



**GENERAL DESCRIPTION:**

Cast brass valve bodies. 1/4 turn washerless ceramic disc valve cartridges. Diverter controls water flow between douche spray and flushing rim. Douche spray has built-in spray height adjustment. 20 inch (500mm) long flexible stainless steel drain cable is pre-assembled to faucet body. Metal Speed Connect™ drain body with 1-1/4" (32mm) tail piece.

**PRODUCT FEATURES:**

**Brass Construction:** Durable - Excellent in high use applications. Ideal for prolonged contact with water. Provides the finest surface for application of all colors and finishes.

**Ceramic Disc Valve Cartridges:** Assures a lifetime of smooth handle operation and drip-free performance.

**Exclusive Speed Connect Metal Drain:**

- Fewer parts. Installs in less time.
- No adjustments required - seals the first time, every time.
- Flexible stainless steel cable - installs effortlessly in tight spaces.

**Choice of Finishes:** Wide variety of durable finishes.

**SUGGESTED SPECIFICATION:**

Two handle deck-mount bidet fitting with matching pop-up drain shall feature solid brass construction. Shall also feature 1/4 turn ceramic disc valve cartridges. Shall also feature a metal drain body with stainless steel cable actuation. Fitting shall be American Standard Model # 2555.40X. \_\_\_\_\_