

Date:

Client:

Project:

VOLA product: 2111C



**2111C**

One-handle build-in mixer with ceramic disc technology.

2111CUP = Mixer 2100.

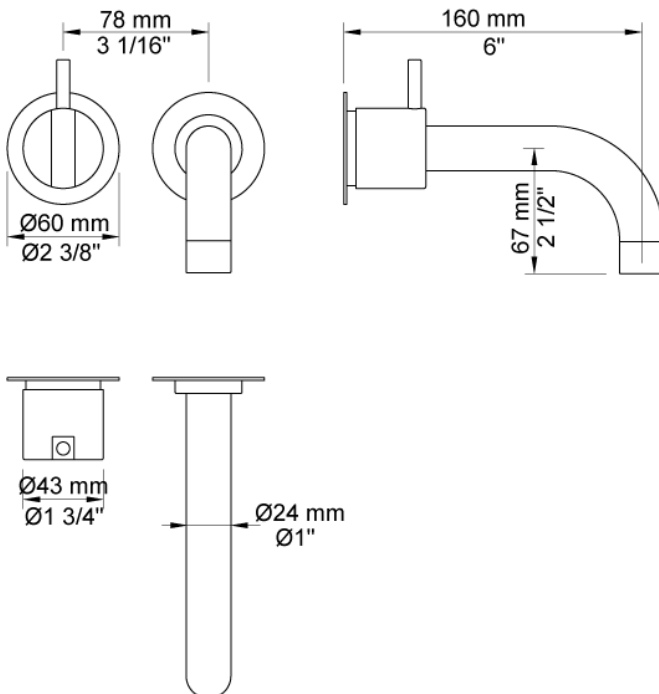
2111CAP = Handle NR21, 160 mm fixed spout 010C, 60 mm circular flanges 001, 2001.

**Flow**

	Bar:	1,0	2,0	3,0	4,0	5,0
010C	(l/min)	10,4	14,7	18,0	20,8	23,2

**Available in colours**

- Color 02, Grey
- Color 04, Light blue
- Color 05, Orange
- Color 06, Light green
- Color 08, Yellow
- Color 09, Dark grey
- Color 12, Mocca
- Color 14, Bright red
- Color 15, Dark blue
- Color 16, Polished chrome
- Color 17, Gloss black
- Color 18, White
- Color 19, Natural brass
- Color 20, Brushed chrome
- Color 21, Carmine red
- Color 25, Pink
- Color 27, Matt black
- Color 40, Brushed stainless steel

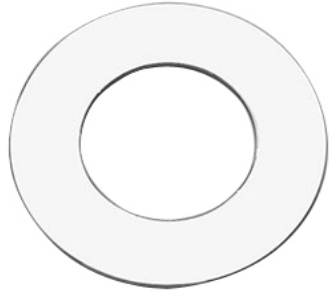


Date:

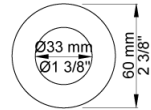
Client:

Project:

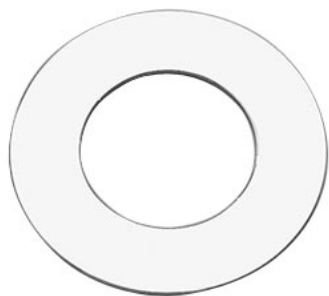
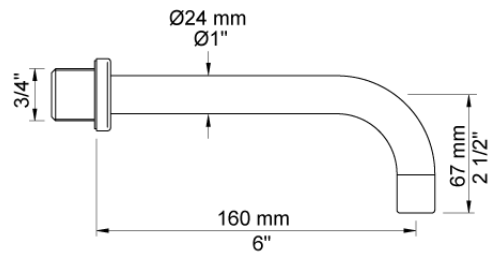
VOLA product: 2111C



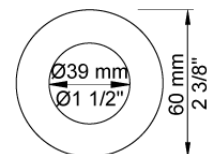
**001**  
60 mm circular flange.  
Hole Ø33 mm.



**010C**  
160 mm fixed spout for high flow.



**2001**  
60 mm circular flange.  
Hole Ø39 mm.

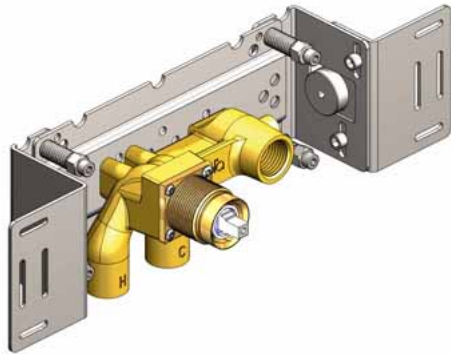


Date:

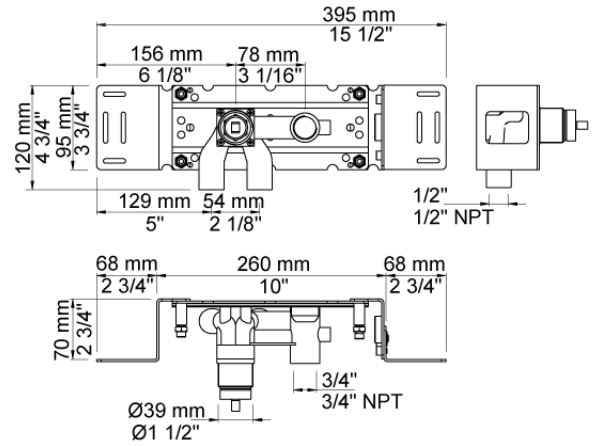
Client:

Project:

VOLA product: 2111C



**2100**  
One-handle build-in mixer for high flow, with fixed outlet socket.  
1/2" connection to copper, steel, iron or pex pipe work.



**NR21**  
Operating handle for 2100, 2200, 2300, 2400  
incl. variants. Ø43 mm.

