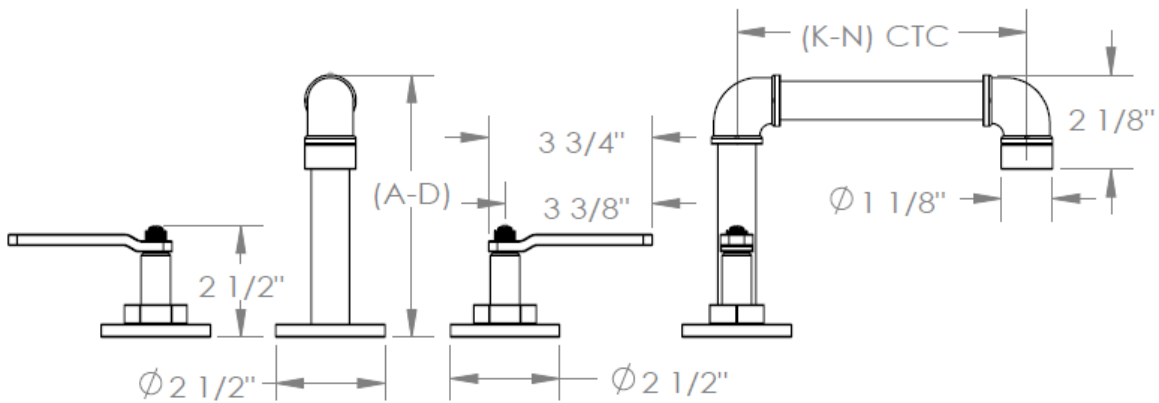


38-8-_-_-EV4
Roman Tub Set

A=4"
 B=6"
 C=8"
 D =10"

K=5.5"
 L=6.5"
 M=7.5"
 N=8.5"



Meets the applicable requirements of ASME A112.18.1-2005/CSA B125.1-05, entitled "Plumbing Supply Fittings"

WATERMARK DESIGNS 11/21/2014

350 Dewitt Ave Brooklyn NY 11207 USA T 718 257 2800 F 718 257 2144 info@watermark-designs.com