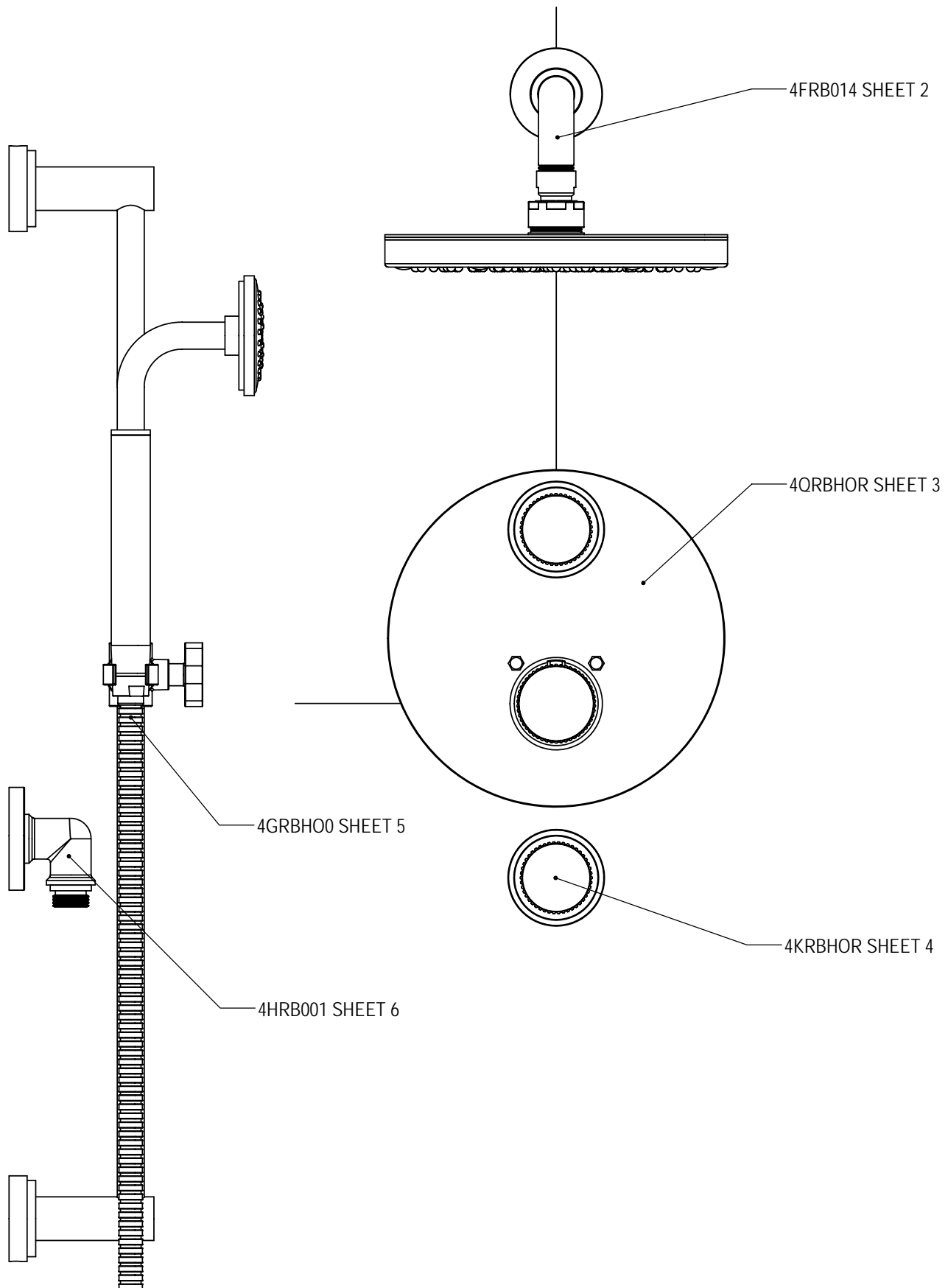


1/2" T/C Shower with Adjustable Slide Bar 41RBHOR

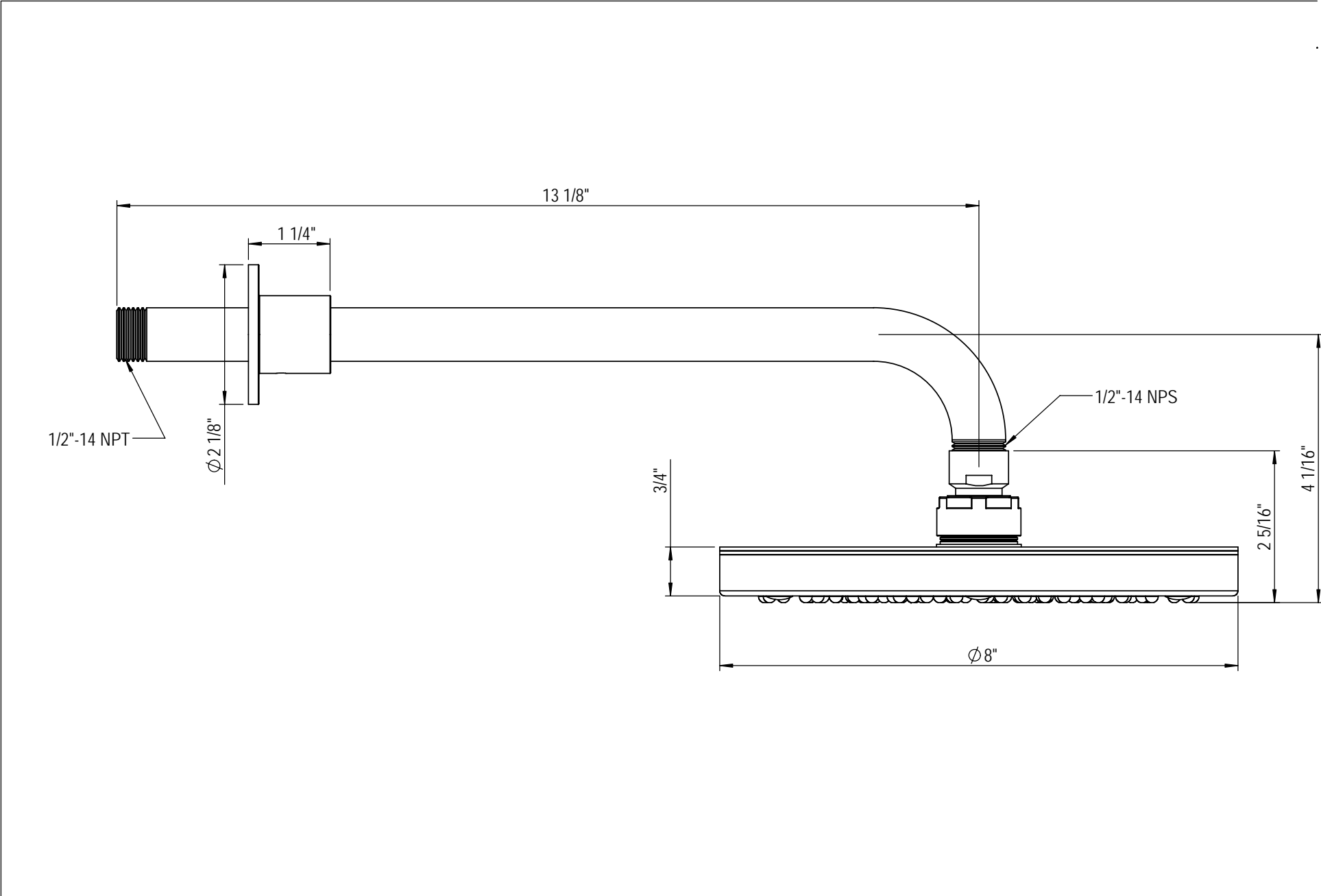


TEL: 905-851-6781
FAX: 905-851-8031
TOLL FREE: 800-461-5901

THE **Rubinet** FAUCET COMPANY

www.rubinet.com

8" Shower Head & 12" Arm with Flange 4FRB014

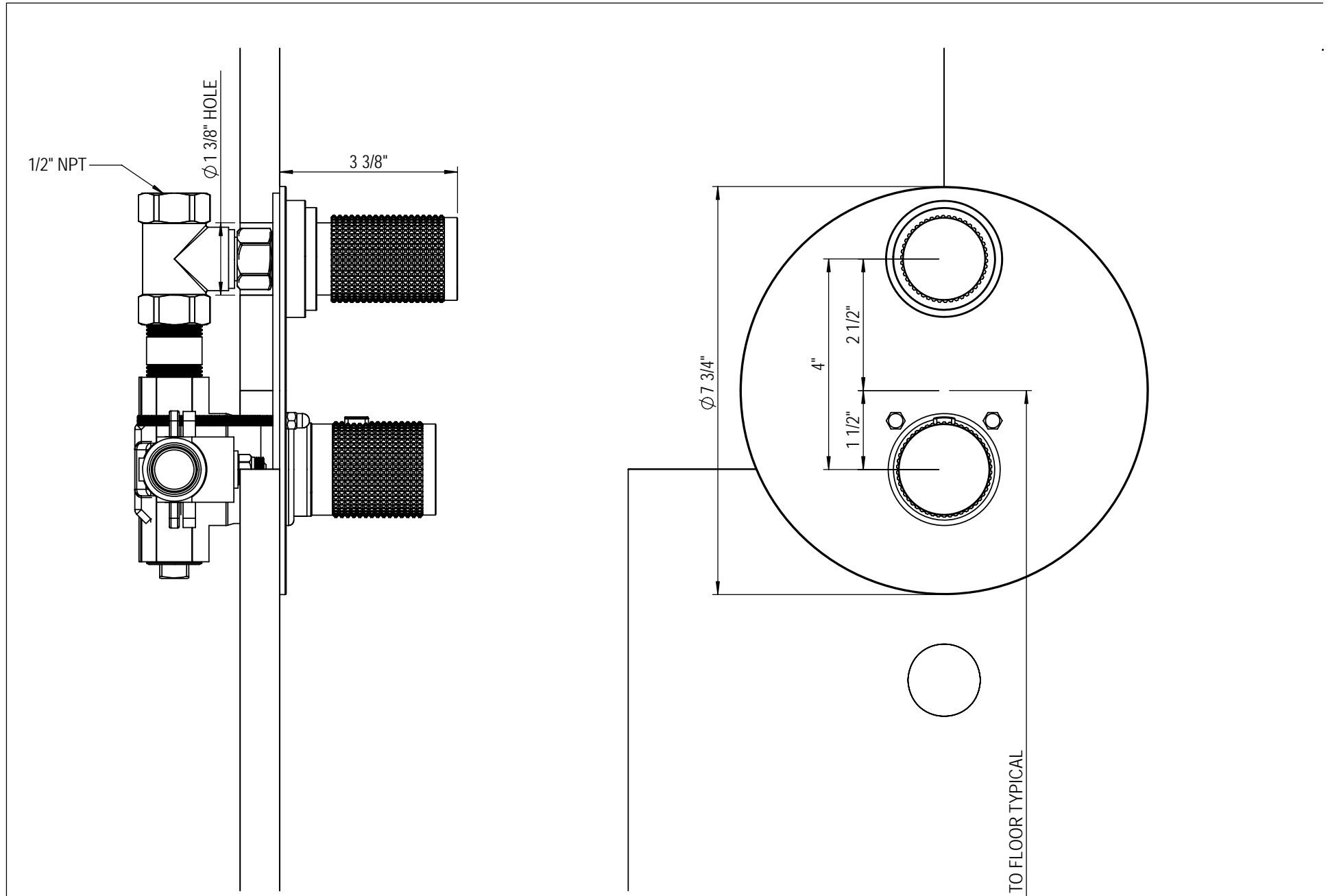


TEL: 905-851-6781
FAX: 905-851-8031
TOLL FREE: 800-461-5901

the RUBINET FAUCET COMPANY

www.rubinet.com

1/2" Temperature Control Valve with Shut-Off Control Valve 4QRBHOR

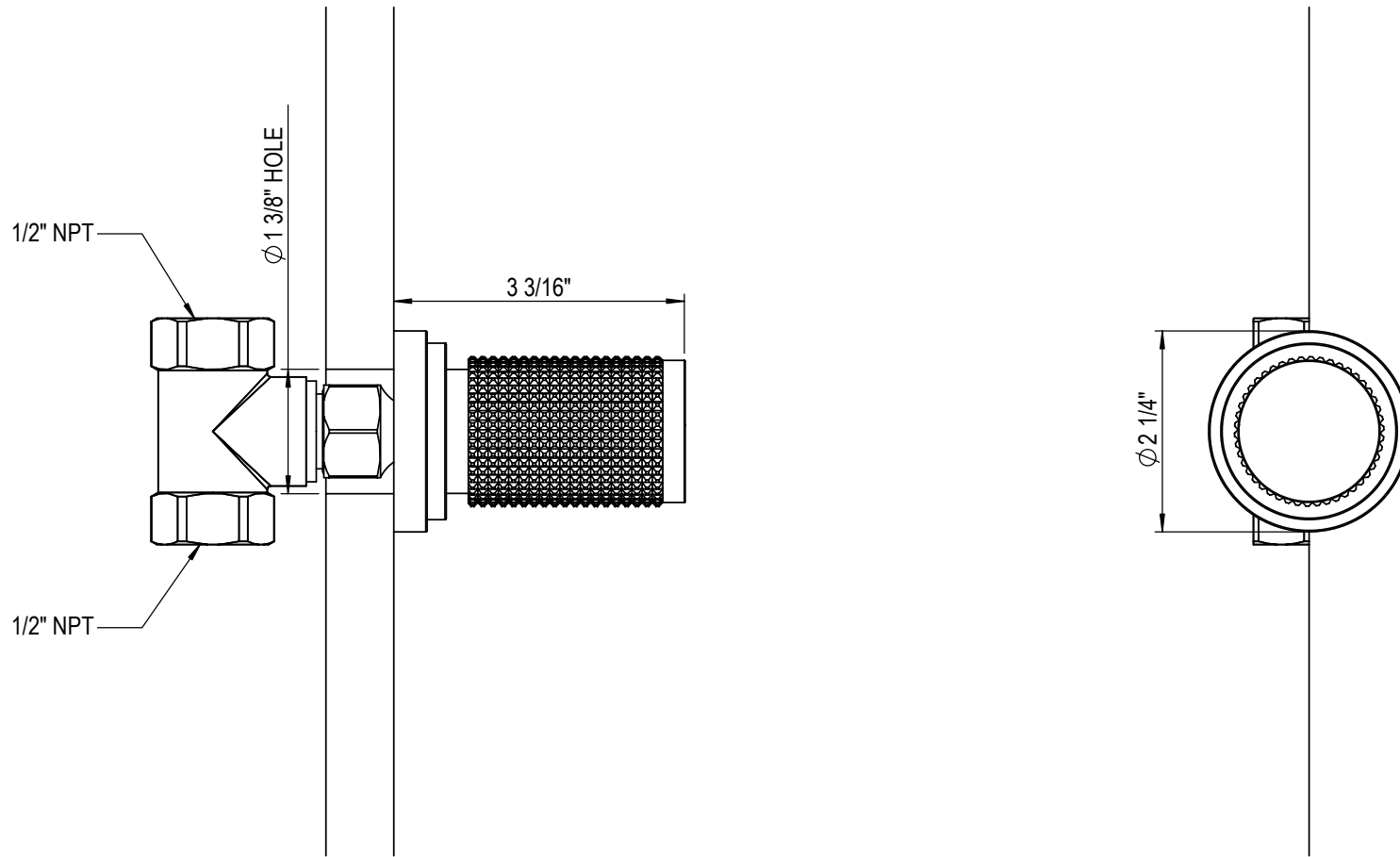


TEL: 905-851-6781
FAX: 905-851-8031
TOLL FREE: 800-461-5901

the RUBINET FAUCET COMPANY

www.rubinet.com

1/2" Shut-Off Control Valve 4KRBHOR

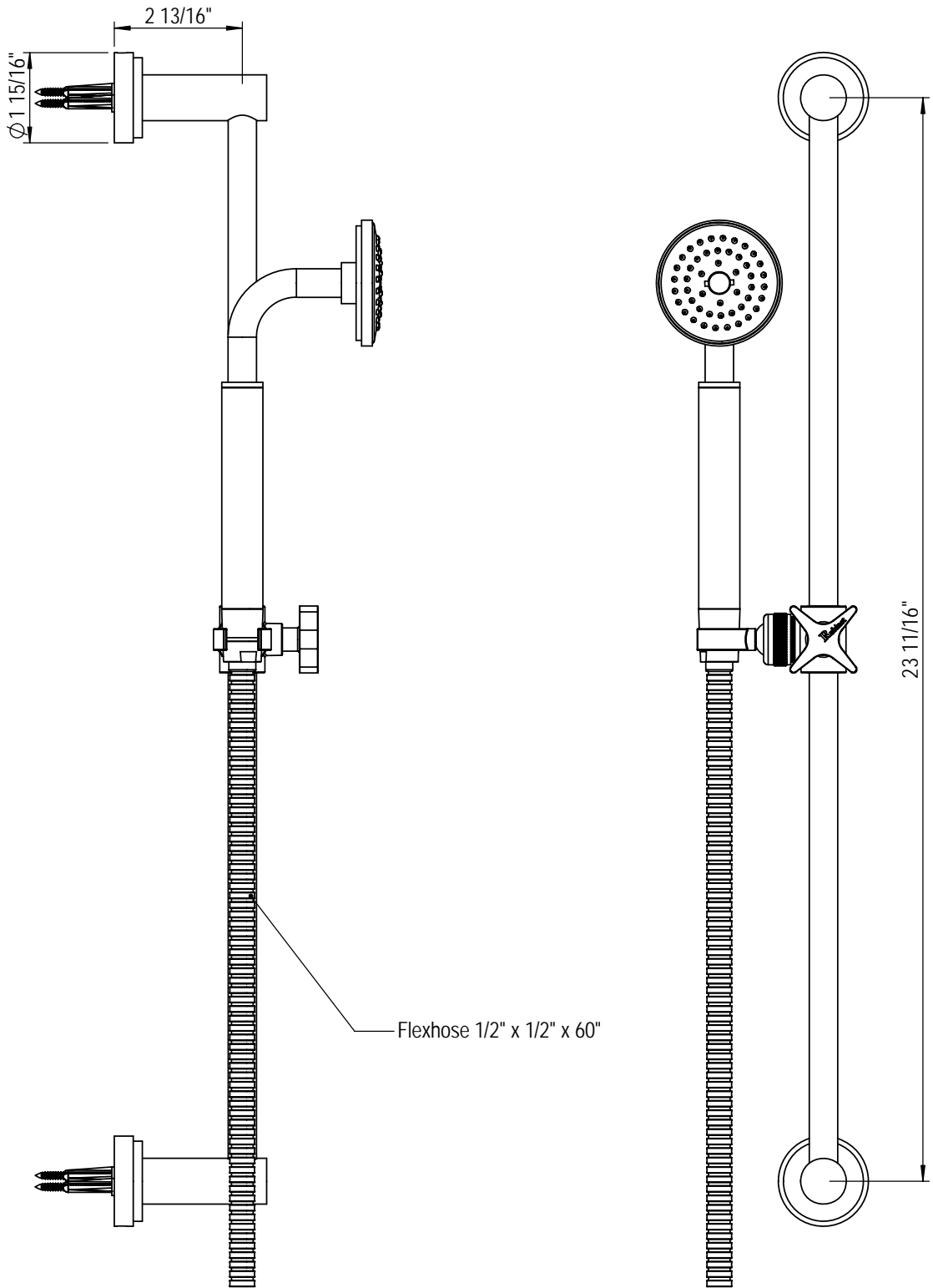


TEL: 905-851-6781
FAX: 905-851-8031
TOLL FREE: 800-461-5901

the RUBINET FAUCET COMPANY

www.rubinet.com

Adjustable Slide Bar with Hand Held Shower 4GRBH00

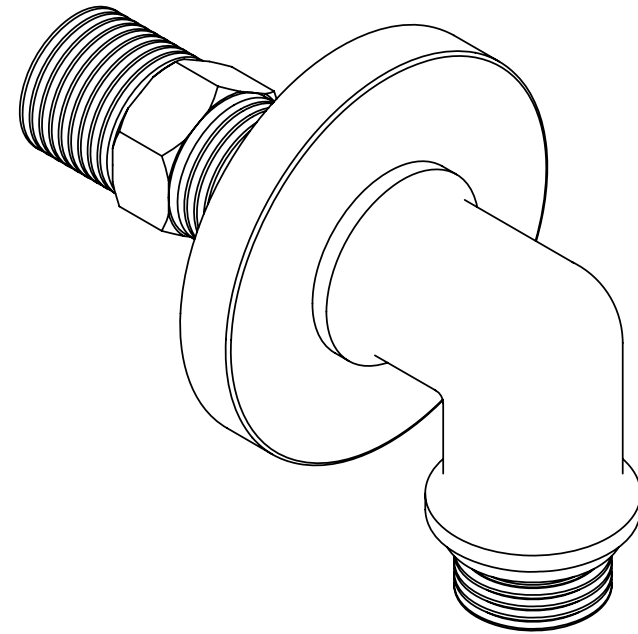
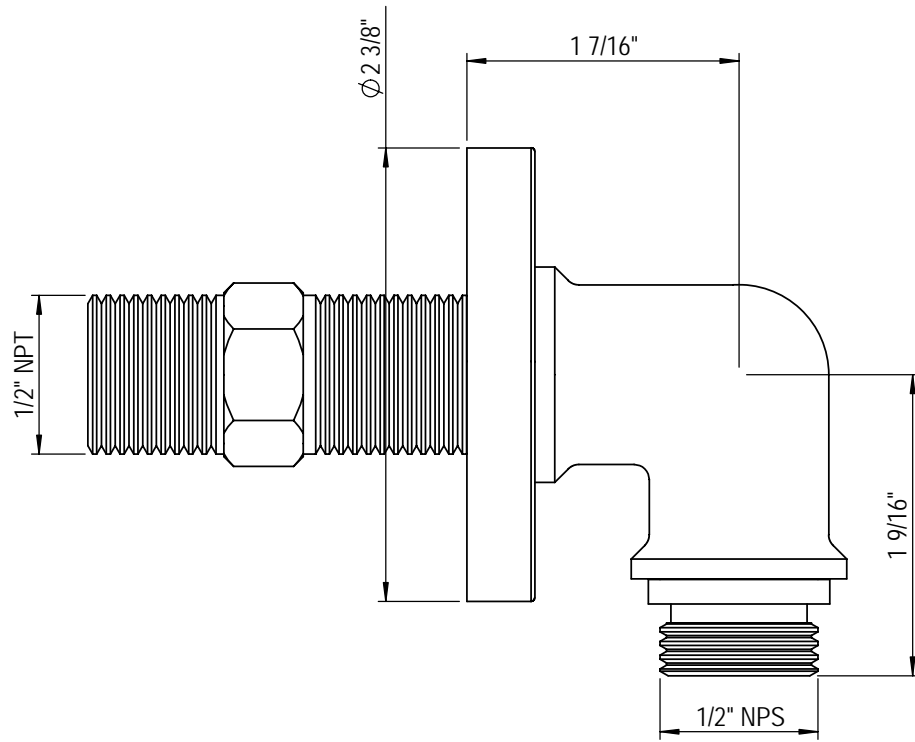


TEL: 905-851-6781
FAX: 905-851-8031
TOLL FREE: 800-461-5901

the RUBINET FAUCET COMPANY

www.rubinet.com

Integral Supply with 1/2" NPT x 1/2" Nipple 4HRB001



TEL: 905-851-6781
FAX: 905-851-8031
TOLL FREE: 800-461-5901

the RUBINET FAUCET COMPANY

www.rubinet.com