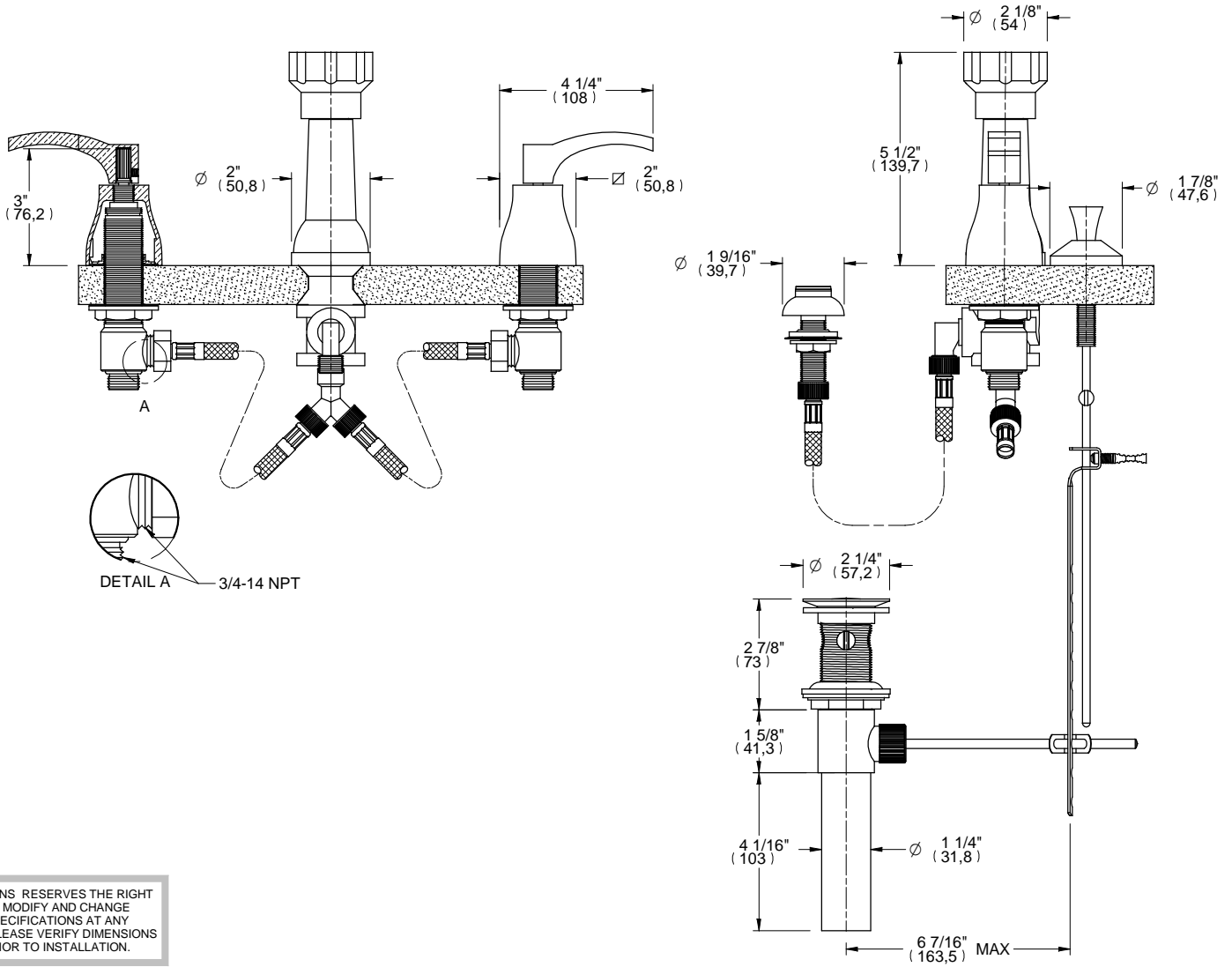


L1



ALTMANS RESERVES THE RIGHT TO MODIFY AND CHANGE SPECIFICATIONS AT ANY TIME. PLEASE VERIFY DIMENSIONS PRIOR TO INSTALLATION.

Features
 Available in All Finishes
 Brass Construction
 1/4" Turn Ceramic Disc Cartridge

Through-Hole Specifications
 All Holes 1 1/2" Max.

DIMENSIONS SHOWN TO NEAREST 1/16"