



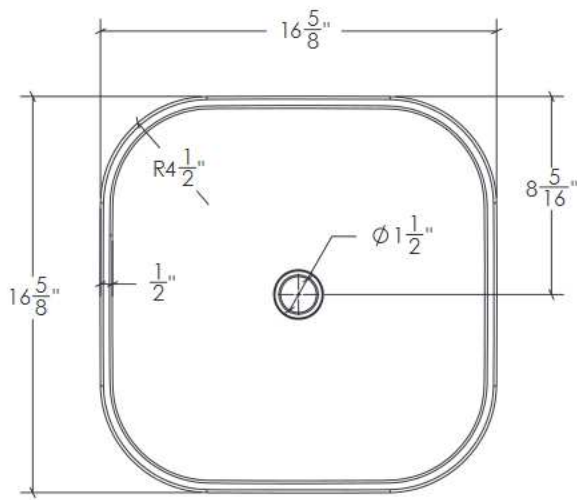
GS-101

FEATURES:

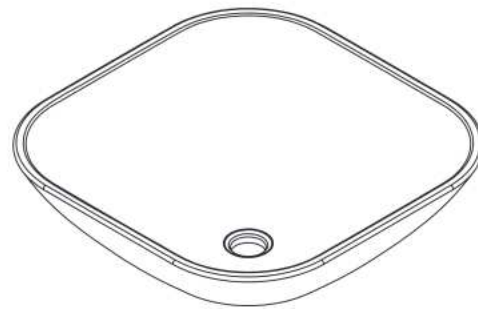
- * Sink Size: 16 5/8" x 16 5/8" x 5 5/8"
- * Material: Clear Tempered Glass
- * Counter Top Sink
- * Recommended Drain: DS-003
- * For Faucets With Overflow
- * For Use With Standard Pop Up Drain
- * Warranty: One Year Limited Warranty

CODES / STANDARDS APPLICABLE

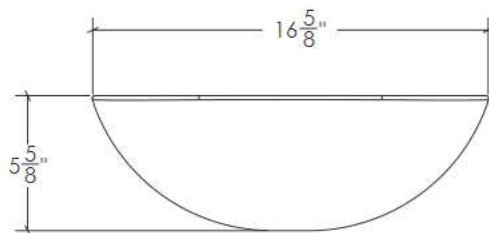
- * CSA B45
- * ASME A112.19.2



TOP VIEW



3D VIEW



FRONT VIEW

JOB INFORMATION:

Job Name _____
 Date Specified _____
 Contractor _____

* Specifications and drawings provided on this sheet are for illustration only. Cantrio Koncepts will not be held responsible for cutouts made without the actual product or product template.