

# GS NORTH AMERICA



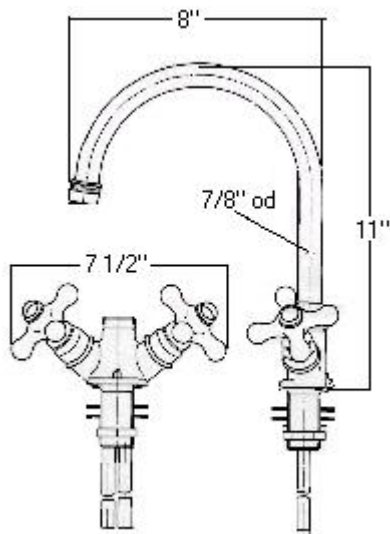
2.2 – 2.5 gpm

**Victorian Bar Faucet**  
½" npt male fittings

**Model #'s**  
1196- Bar Faucet

**Note:** - Ceramic disc valve cartridges.  
- Swivel spout.

## MOUNTING PARTS



## Installation

1. Place O ring on bottom of valve.
2. Attach hoses & bar to bottom of valve.
3. Slide hoses and bar through counter top.
4. Place flat washer on first than horseshoe washer over hoses and bar.
5. Tighten down retaining nut to bar securely to sink.
6. Attach 3/8" – 1/2" nut to hoses. And attach to supply.

## PRODUCT FEATURES:

**Ceramic Disk Valves:** Assures a lifetime of drip-free performance.

**Brass Casting:** Forged brass body for a lifetime of high quality use.