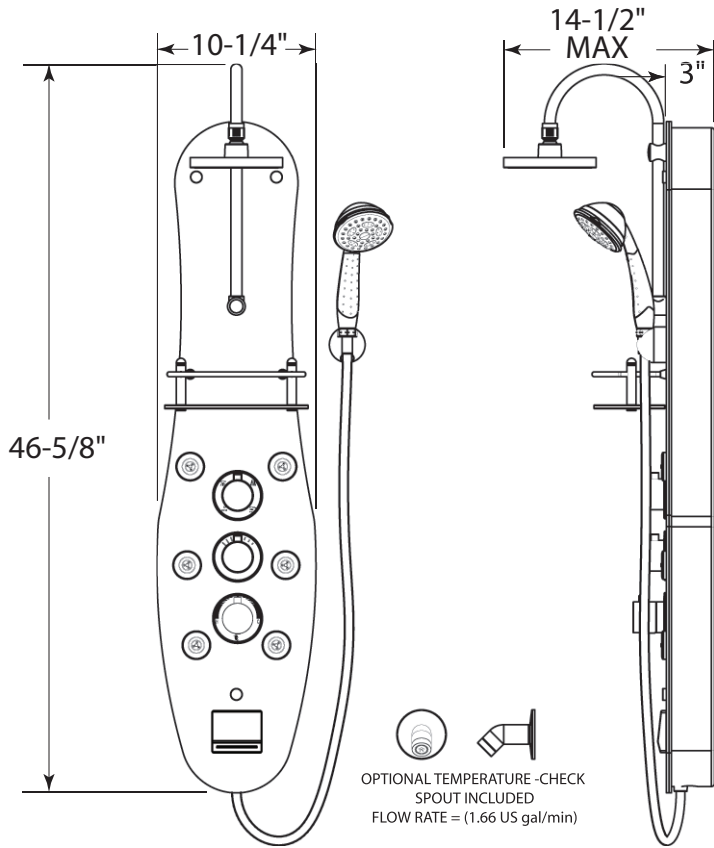




Ristorre™ Ovale™ SHOWER TOWER

EC31 Ovale™ Shower Tower (Optional Spout Included)



INSTALLATION NOTES

Refer to installation instructions included with fixture before beginning installation. Please confirm product availability and specifications before commencing with any installation work.

PRODUCT SPECIFICATIONS AND AVAILABILITY ARE SUBJECT TO CHANGE WITHOUT NOTICE.

Technical Specifications

DIMENSIONS

46-5/8" L x 10-1/4" W x 3" D
(1184 mm) L x (260 mm) W x (76 mm) D

PRODUCT WEIGHT

22 lb. (10 kg)

This is a wall mounting shower tower bathroom fixture.

Product Shown:

Ristorre™ Ovale™ Shower Tower, Model: EC31

Minimum Working Water Pressure		21.76 psi	(1.5 bar)
Maximum Working Water Pressure		72.52 psi	(5.0 bar)
Recommended Working Water Pressure		43.51 psi	(3.0 bar)
Maximum Working Water Temp.		140-158° F	(60 - 70° C)
Minimum Working Water Temp.		41-68° F	(5-20° C)
Recommended Working Temp.		100° F	(38° C)
Under water pressure at 21.76 psi (1.5 bar)	Flow Rate of Hand Shower	1.61 US gal/min	(6.1 L/min)
	Flow Rate of Wall Mount	1.69 US gal/min	(6.4 L/min)
	Flow Rate of Body Jet	1.66 US gal/min	(6.3 L/min)
	Flow Rate of Bath Spout	1.69 US gal/min	(6.4 L/min)