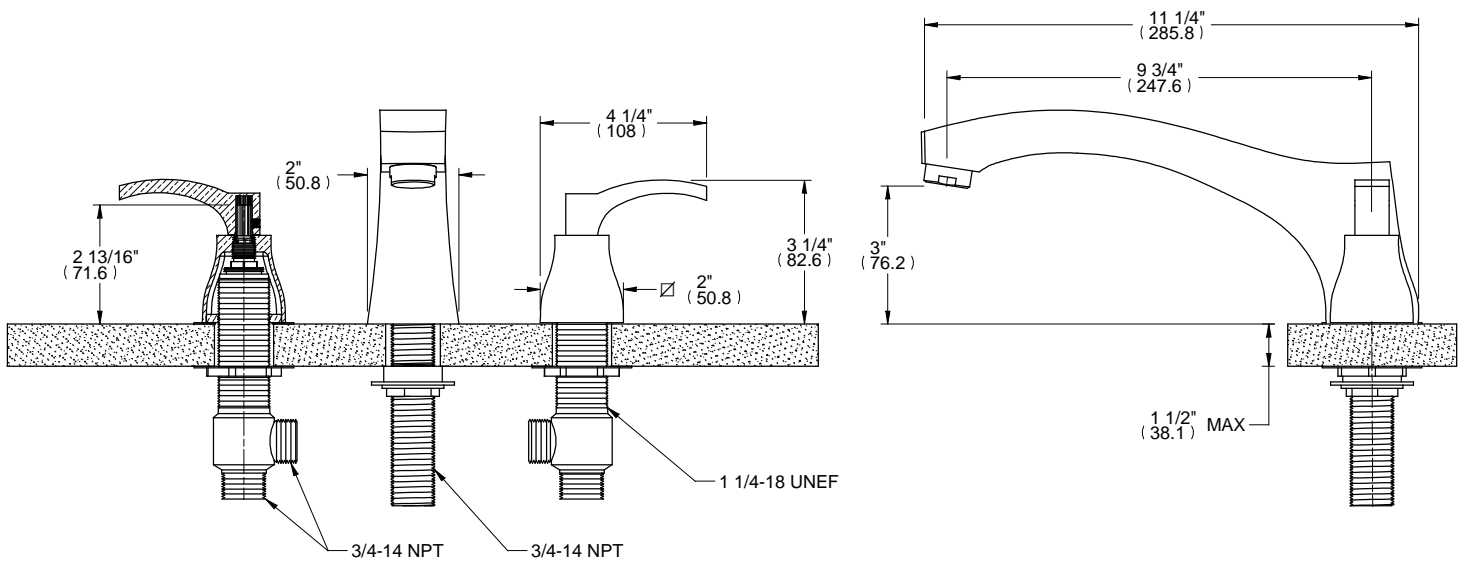


L1



ALTMANS RESERVES THE RIGHT TO MODIFY AND CHANGE SPECIFICATIONS AT ANY TIME. PLEASE VERIFY DIMENSIONS PRIOR TO INSTALLATION.

Features

Available in All Finishes
All Brass Construction
1/4 Turn Ceramic Disc Cartridge

Through-Hole Specifications

Spout: $\varnothing 1 \frac{1}{2}$ " Max.
Valve: $\varnothing 1 \frac{1}{2}$ " Max.

DIMENSIONS SHOWN TO NEAREST 1/16"