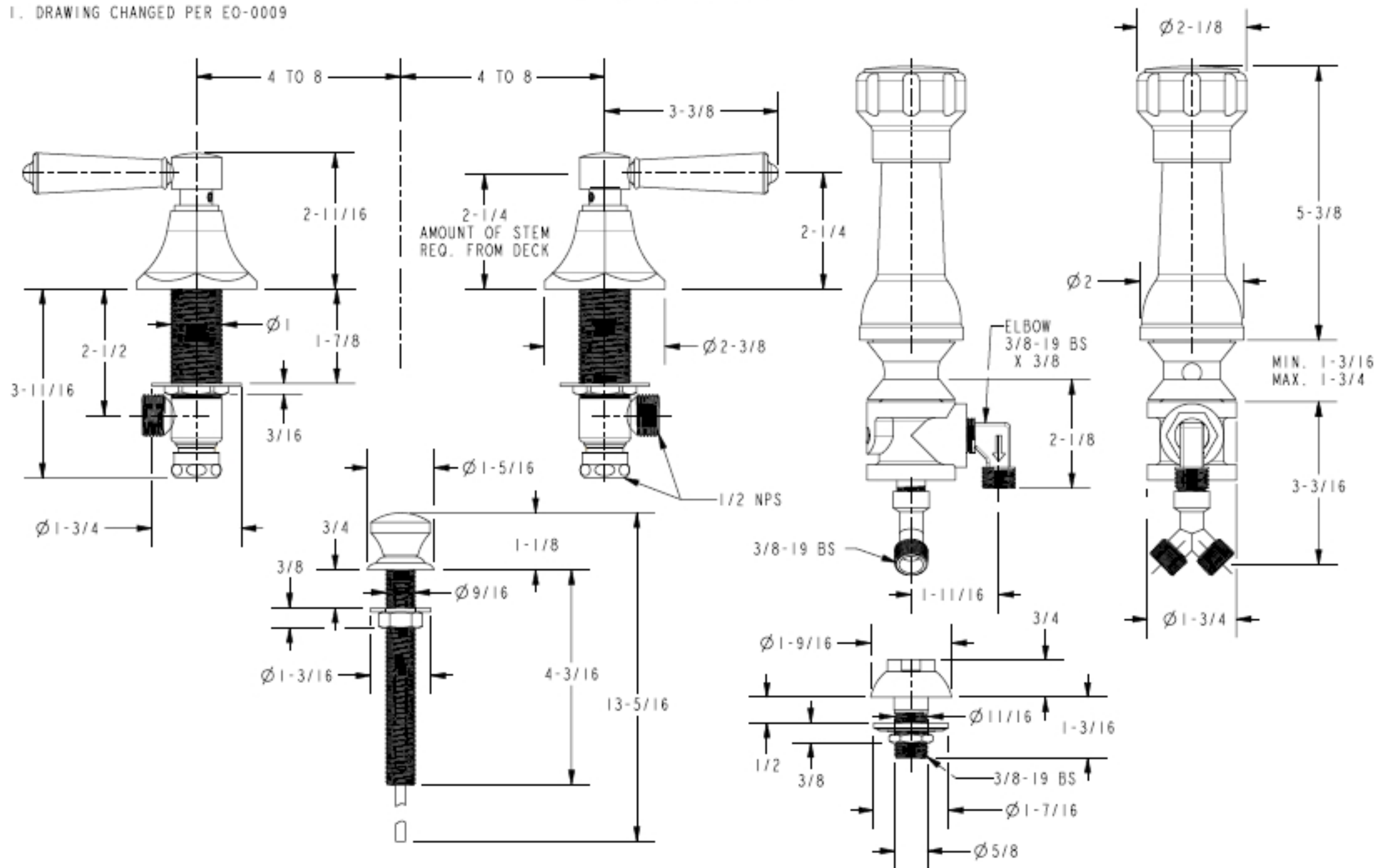


SPECIFICATION DWG

1. DRAWING CHANGED PER EO-0009



DIMENSIONS ARE IN INCHES AND AN APPROXIMATION OF A TYPICAL INSTALLATION