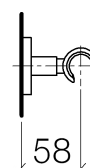
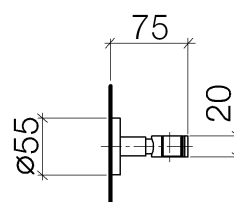




Product specifications

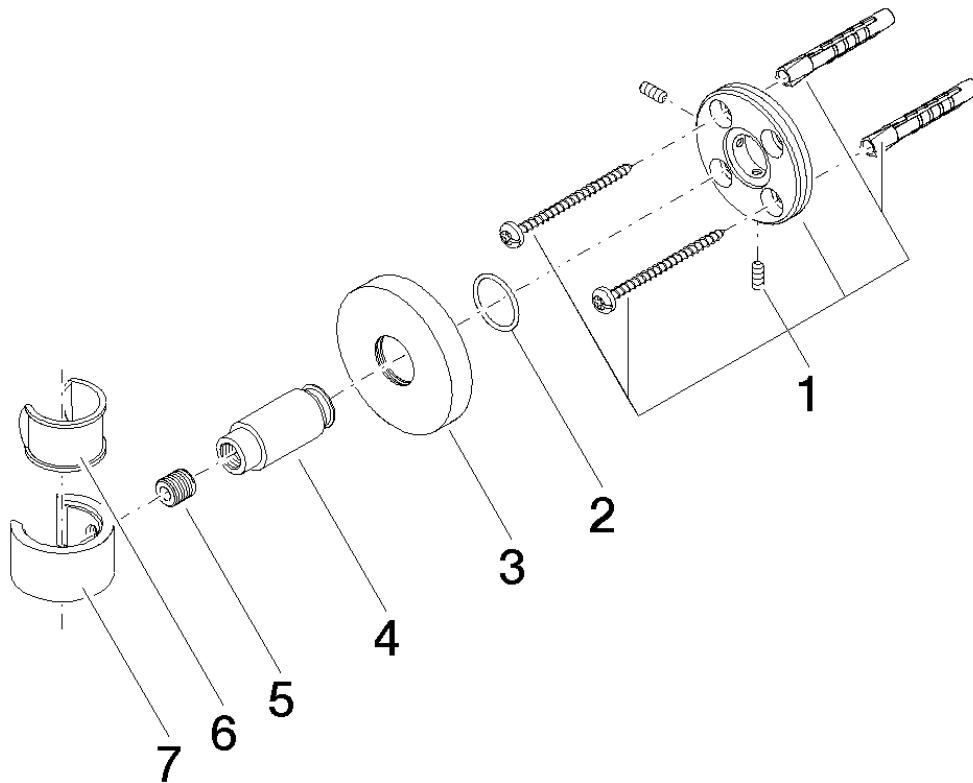
- Flange diameter 2 1/8"



Surfaces

- | | |
|-----------------|-------------|
| • chrome | 28050625-00 |
| • chrome | 28050625-00 |
| • matt platinum | 28050625-06 |
| • matt platinum | 28050625-06 |

Exploded assembly drawing



Order quantity

| No. | Article number | Name | Installation quantity |
|------------|-----------------------|-------------|------------------------------|
| 1 | 0517625000090 | fixing set | 1 |
| 2 | 09141003290 | seal | 1 |
| 3 | 082762500ff | rosette | 1 |
| 4 | 081762550ff | holder | 1 |
| 5 | 08185058590 | screw | 1 |
| 6 | 09184003590 | sleeve | 1 |
| 7 | 091720014ff | holder | 1 |