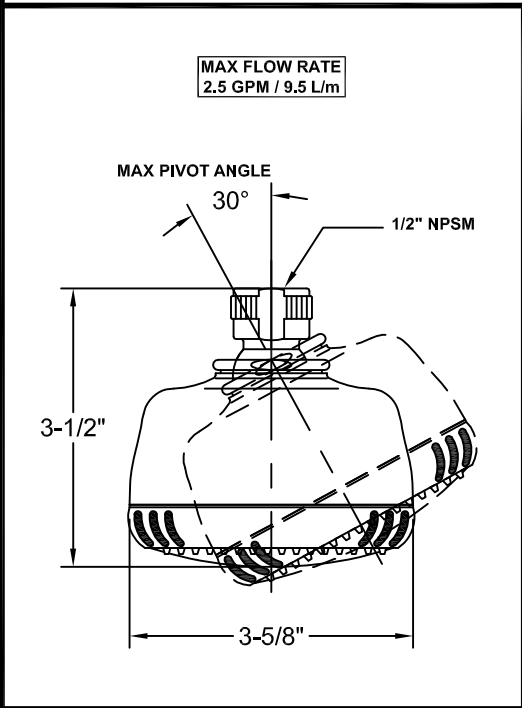



NOTES:

- 1. XX DENOTES FINISH
- 2. ALL DIMENSIONS ARE IN INCHES



| | | | |
|--|--|-----------------------------|---------------------------------|
|  California Faucets® info@calfaucets.com www.calfaucets.com | DESCRIPTION: TRADITIONAL MULTI-FUNCTION SHOWER HEAD | | STARTING DATE: 05/24/05 |
| | NEXT ASSEMBLY: N/A | USED ON: N/A | REVISION DATE: 08/29/07 |
| | DRAWING NUMBER: SH-07 | | APPROVED BY: J.WOJTASZEK |
| | | | SCALE: NONE |
| | | DRAWN BY: W. LINARES | |