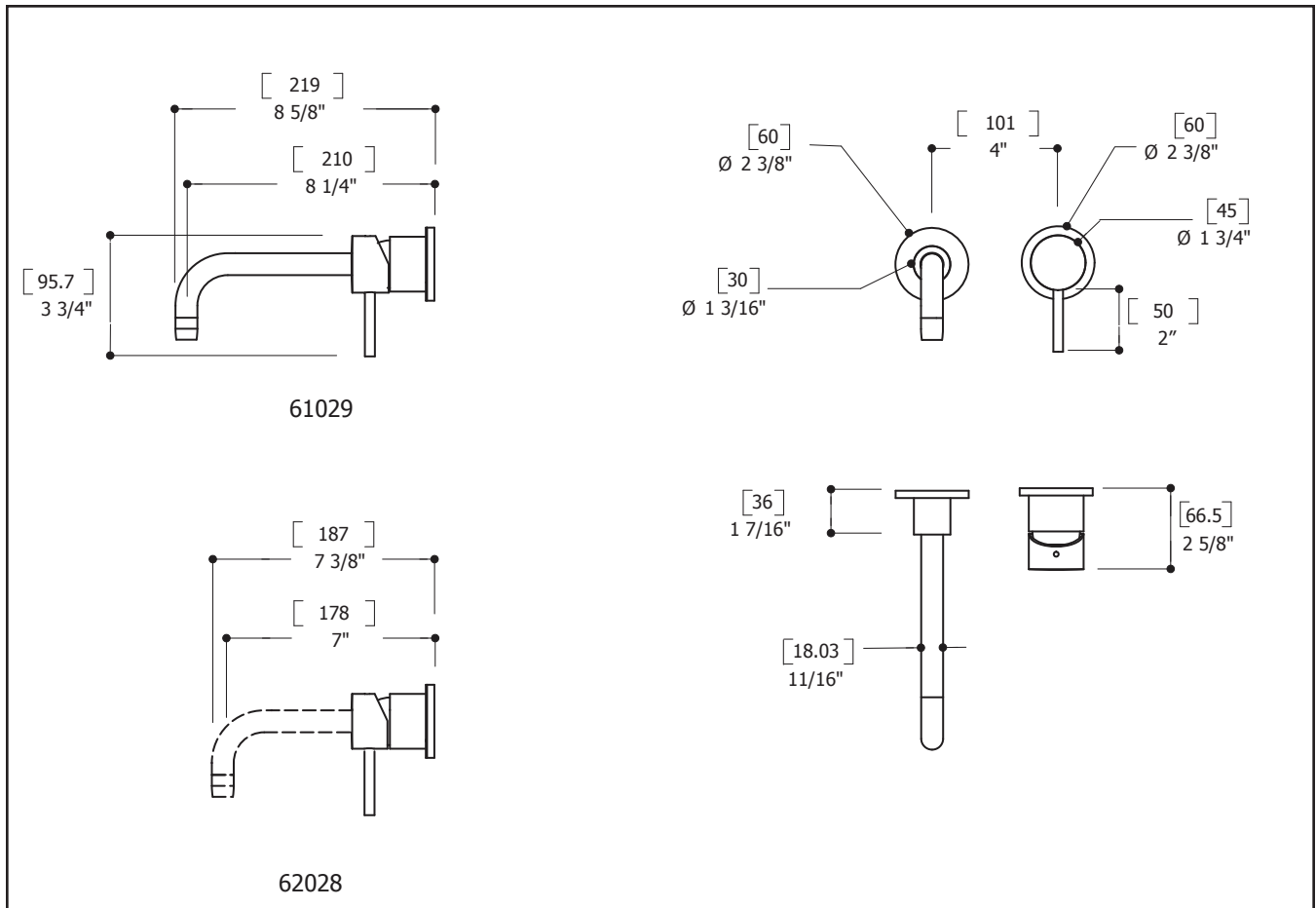
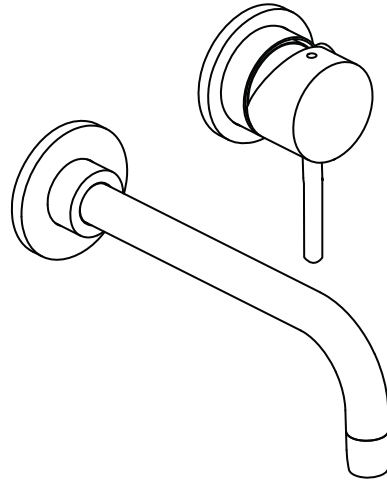


TECHNICAL SPECIFICATIONS

FEATURES:

- Solid brass construction
- High quality finishing
- 7" and 8" 1/4" available spouts
- 2GPM water conservation aerator
- CSA approved



SERVICE PARTS

