

Intarcia

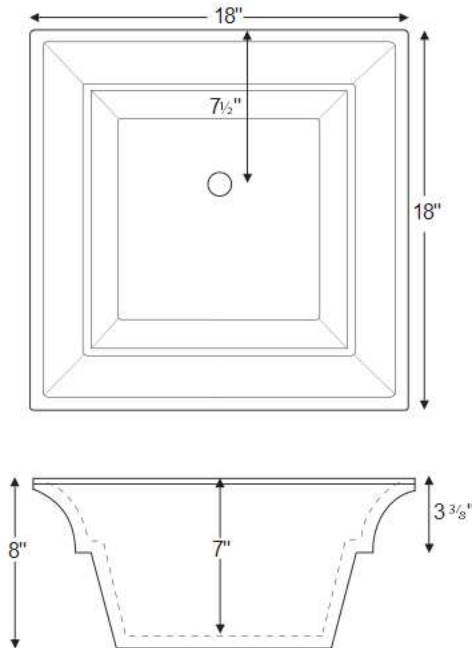
Part # - MTCS-734

18" x 18" x 8"



Installation: vessel-style, semi-recessed or undermount

Lead Time - 10 Business Days



PRICING AND OPTIONS

Part # MTCS-734 \$979

STANDARD COLORS / FINISH - White or Biscuit; matte finish

OPTIONAL COLORS / FINISH - White or Biscuit; gloss finish **Add \$169**

Other colors available for projects only. Please call MTI.

OPTIONS

Routed Channel without Inlay (RCS) \$179

Routed Channel with Cherry Wood Inlay (RCSWI) \$419

Choose From the Following Inlay Finishes:

Silver Fern, Medium Walnut Stain, Rivera Cream, Ebony Stain, Fossil
Antique Black, Dark Walnut Stain, Powder White, Tavern Red, Driftwood
(Note: Inlay can be finished to match any Benjamin Moore color available. Please specify model number of paint when placing order.)

Routed Channel with Solid Brass Inlay from The Rubinet Faucet Company Available in the following finishes:

Chrome (RCSRC) **\$699**; Brushed Nickel (RCSRBN) **\$949**

Polished Nickel (RCSRPN) **\$949**; Oil Rubbed Bronze (RCSRORB) **\$949**

Special Finishes (RCSRSF)* call for price - (* 6 to 8 week lead time)

Quick Ship/Priority. Call for availability.(QUISINKSH) **\$85**

CONSTRUCTION AND STANDARD FEATURES

- Single-bowl design; 1.75" drain opening.
- Sink has no overflow. Requires vessel-style drain kit without overflow. Check local codes.
- One-piece construction.
- Constructed using MTI's Engineered Solid Stone™ (ESS) material, which is a mixture of ground natural materials and binding agents that are liquefied, poured and then hardened.
- Approximately 60% of the material is organic, including minerals mined from the earth, making it "Green".

- Same material and color all the way through, with minor variations due to use of natural minerals.
- Durable, non-porous material is easy to clean.
- Stain, mold and mildew-resistant.
- 5-year Limited Residential Warranty.
- Shipping weight: 22 lbs.

NOTE: Measurements are ±1/2" and are subject to change without notice. Data herein supersedes all previous prior to publication date indicated below.