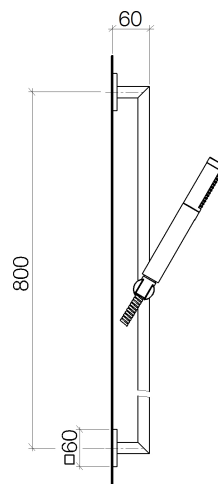




Product specifications

- 8 5/8" projection
- Hand shower with descaling system and back flow preventer
- Flange 2 3/8 x 2 3/8"
- 3/8" x 1/2" x 68 7/8" shower hose with rotating hose connector
- 35° x 1/2" x 1/2" angle
- Center to center 31 1/2"
- Slide bar
- Water flow rate limited to max. 2 gpm

For combination with 28 450 980-FF and 28 451 980-FF



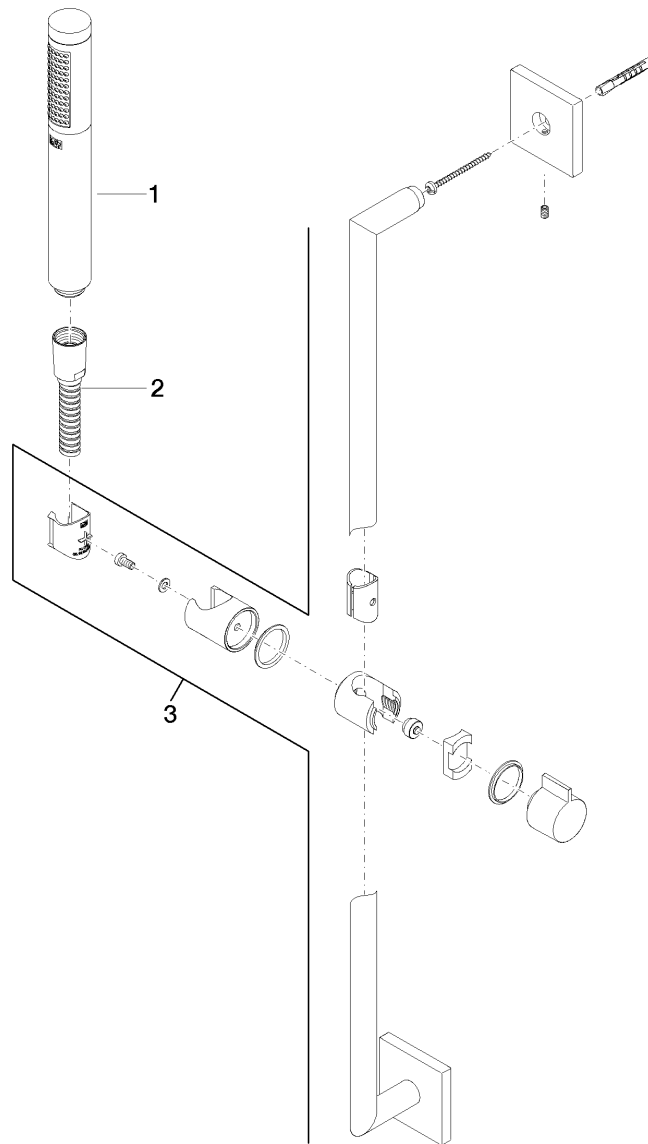
Surfaces

- chrome 26402980-00
- matt platinum 26402980-06

Accessories required

- Rough; 35085970

Exploded assembly drawing





Order quantity

No.	Article number	Name	Installation quantity
1	28010979ff	shower	1
2	28322970ff	hose	1
3	26701980ff	shower set	1

