

Riva® 7242 Airbath Bathtub

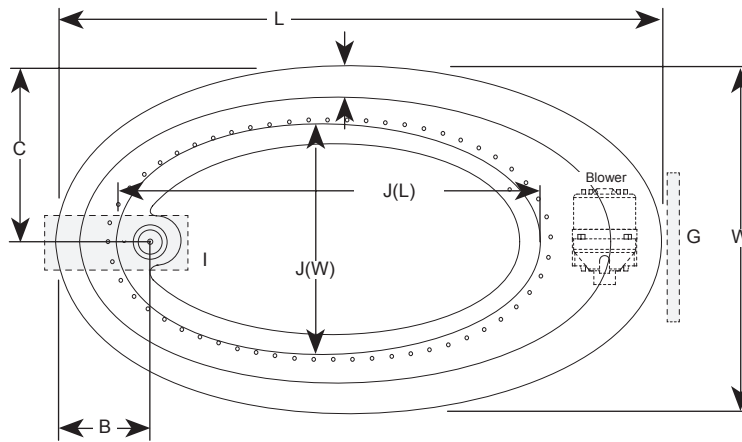
Letter	Description	English	Metric
-	Drain Location	Left Hand / Right Hand	
-	Blower Location	Opposite end of drain location	
-	Cutout	P/N P186000	
-	Total Weight	1168 lbs	530 kg
-	Floor Loading	56 lb/ft ²	273 kg/ m ²
-	Operating Gallons (Min/Max)	55 Gal / 89 Gal	208 L / 337 L
-	Product Weight	127 lbs	58 kg
L	Outer Length	72.00"	1829 mm
W	Outer Width	42.00"	1067 mm
H	Overall Height	20.50"	521 mm
A	Overflow Height	17.50"	445 mm
B	Long Edge to Drain Center	11.50"	292 mm
C	Short Edge to Drain Center	21.00"	533 mm
D	Drain Shoe Length	8.25"	210 mm
E	Deck Height	2.00"	51 mm
F	Deck Width	3.13"	79 mm
G	Service Access Dimensions	12.00" x 18.00" (305 mm x 457 mm)	
I	Floor Cutout for Drain	12.00" x 4.00"	305 mm x 102 mm
J	Interior Dimensions (W x L)	28.00" x 50.00"	711 mm x 1270 mm

NOTE

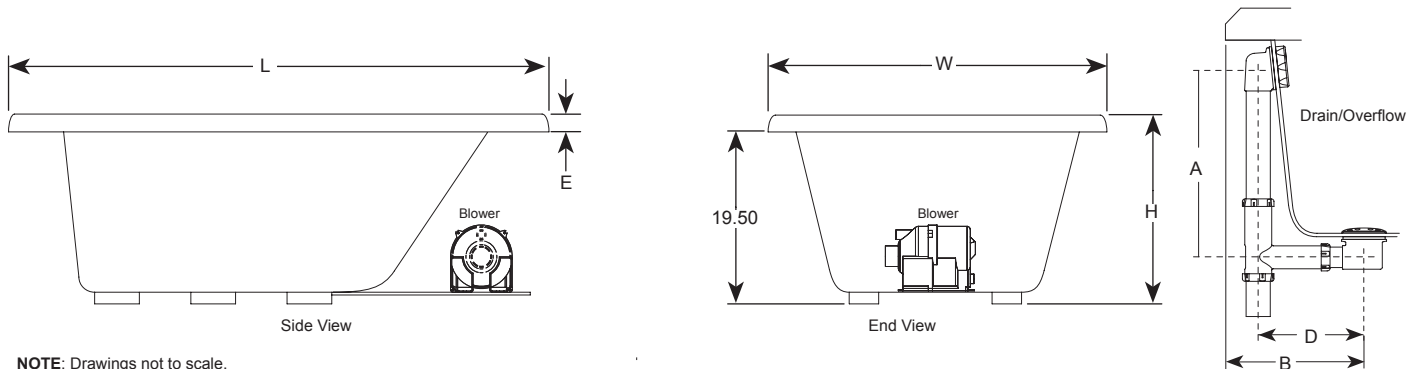
The overall dimensions are nominal with a tolerance of +0 and -.25" (6mm).
 Electrical Specifications
 (Each component requires a separate, dedicated GFCI protected circuit)
 Blower 120V 15A 60HZ

Key Dimensions

(Left End Drain / Right Side Blower shown)



*Deck width reflects only area indicated on detail.



NOTE: Drawings not to scale.