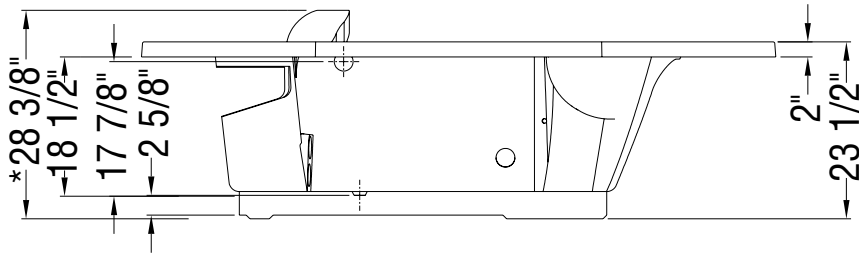
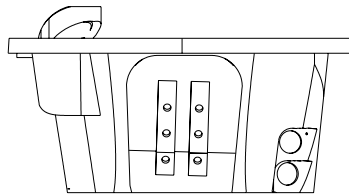
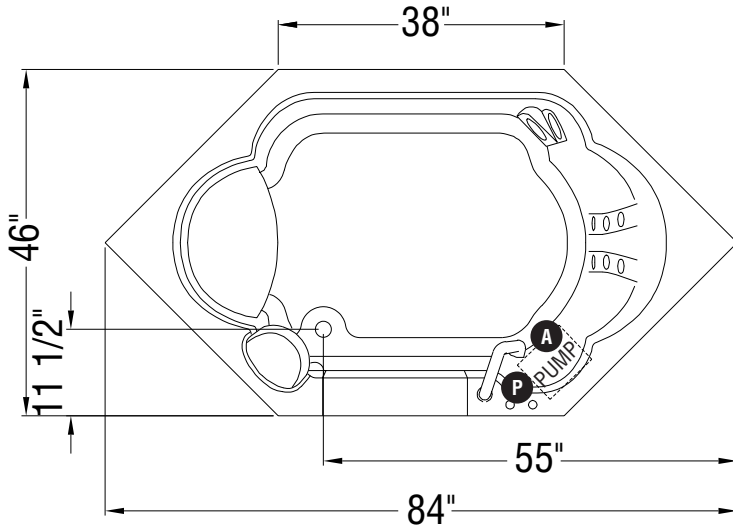



TRUE WHIRLPOOL SYSTEM



- A** : Indicates standard pump positioning
- P** : Indicates standard hand rail positioning
- () : Indicates True Whirlpool jets positioning