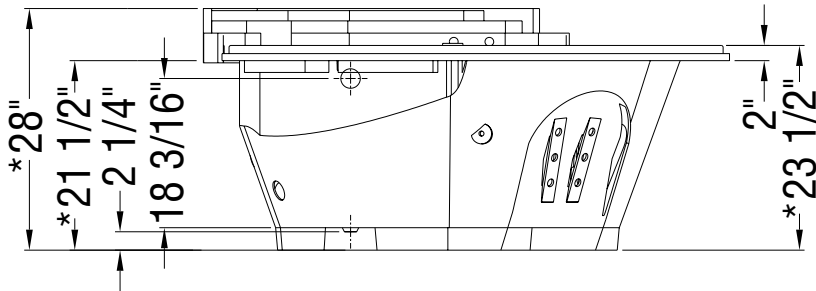
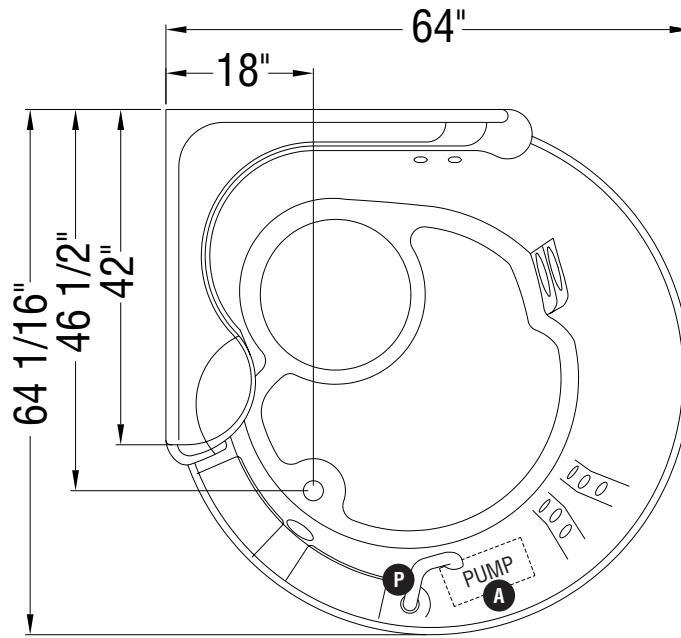


TRUE WHIRLPOOL
SYSTEM



A : Indicates standard pump positioning

P : Indicates standard hand rail positioning

() : Indicates True Whirlpool jets positioning