

All measurements in inches

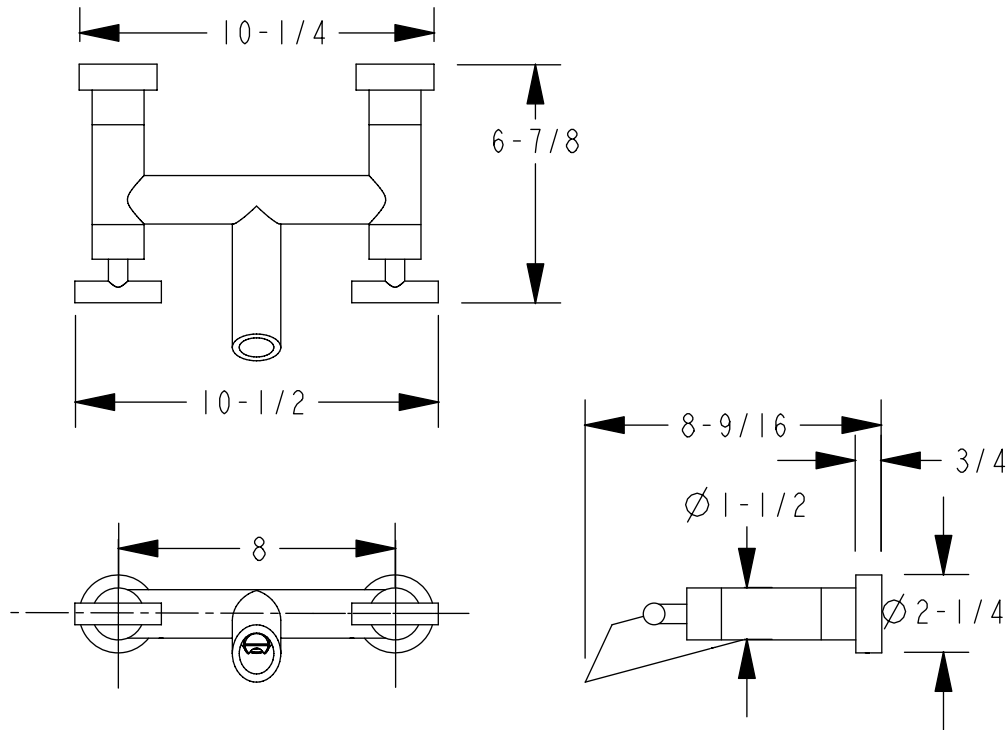


Image NOT to Scale

We reserve the right to make revisions without notice in the design of fixtures or in packaging unless this right has specifically been waived at the time the order is accepted.

This product meets ANSI/NSF Standard 61, Sect. 9, Safe Drinking Water Act - Lead Content and Leaching

MANUFACTURED :: CALIFORNIA, US (CNC) COMPUTER NUMERIC CONTROL

MATERIAL :: SOLID BRASS

WEIGHT(LBS.) :: 11.35

SPECIAL FEATURES :: INTEGRATED ROUGH

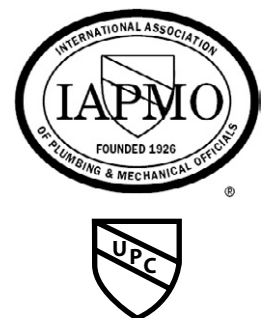
FLOW :: 2.2 GPM (GALLONS PER MINUTE)

CARTRIDGE :: CERAMIC 1/4 TURN (GERMANY)

COMPATIBLE WITH :: RECOMMENDED DRAIN 06003-110

FINISHES

- 008 - POLISHED COPPER LACQUERED
- 009 - POLISHED COPPER
- 010 - OIL RUBBED BRONZE
- 014 - ANTIQUE NICKEL LACQUERED
- 015 - POLISHED NICKEL
- 018 - BRUSHED NICKEL
- 026 - POLISHED CHROME
- 027 - MATTE CHROME
- 028 - BRUSHED CHROME



waterdecor

For technical information please call 877.222.9644 or fax 626.744.0377

All measurements in inches

