

32" GIBSON DOUBLE BOWL UNDERMOUNT SINK

Cat. No
KSSDB2570-SS



W: 31-1/4"
D: 20-1/2"
H: 10"

Features:

- ▶ Solid 16 gauge, 304 grade metal construction
- ▶ Zero radius corners
- ▶ Easy maintenance with matte finish
- ▶ Mounting clips included
- ▶ Insulated for sound reduction
- ▶ Pads on all sides and bottom of sink
- ▶ Rim width is 1-1/8"
- ▶ Accommodates 3-1/2" drain
- ▶ 60/40 offset

Compliance Certification
Meets or exceeds the following
specifications: ASME
A112.19.3-2001 for Stainless Steel.

***Please do NOT cut hole without
template or actual product.**

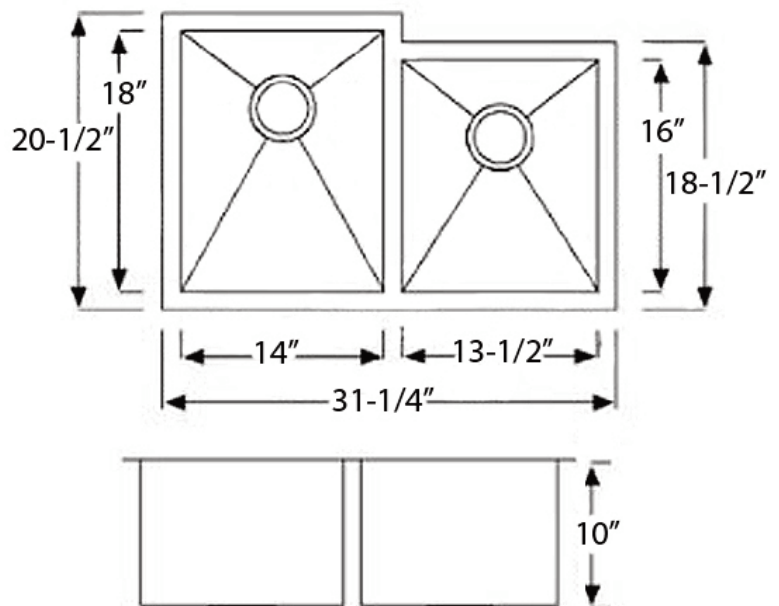
Interior Dimensions:

Large

Basin Interior: 14" W x 18" D
Basin Depth: 9-1/2"

Small

Basin Interior: 13-1/2" W x 16" D
Basin Depth: 9-1/2"



Dimensions of fixture are nominal and may vary within the range of tolerances established by ANSI Standard A112.19.2. Dimensions and specifications subject to change without notice.