

GREEN TEA™ 5' X 42" WHIRLPOOL

- 3574.018WC Whirlpool featuring System I**
 - Acrylic with fiberglass reinforcement
 - Pre-leveled tub bottom
 - Form-fitted backrest position
 - Raised neck support
 - Dual, molded in arm rests
 - 1.4 HP single speed, self-draining pump/motor
 - Factory installed power cord with plug
 - Eight multi-directional and flow-adjustable jets
 - Side-mounted air switch On/Off
 - Can be under-mount installed
 - Two silent air volume controls
 - Quick Connect Safe-T-Heater connection system
 - Factory installed and tested whirlpool system
 - EverClean® System

- 3574.018WC.K2 Whirlpool Massage System with Chromatherapy**

Same as 3574.018WC but also includes:

 - Two digitally controlled lights
 - Electronic control with color selector and color cycle function

- 3574.002 Bathing Pool**
 - Same as above without whirlpool system

Nominal Dimensions:

1524 x 1067 x 533mm
(60" x 42" x 21")

Compliance Certifications -

Meets or Exceeds the Following Specifications:

- Underwriters Laboratories - Hydromassage Bathtubs UL 1795
- ASME A112.19.7M for Whirlpool Appliances
- ANSI Z124.1 for Plastic Bathtubs
- ASTM E162 for Flammability
- NFPA 258 for Smoke Density

American Standard whirlpools and air baths with EverClean® incorporate a patented silver-ion additive right into the circulation piping to protect the pipes from mold, mildew, algae and fungus that could cause deterioration or staining of the pipes.



To Be Specified - Required:

- Color:
- Bath Filler: (specify finish)
- Bath Drain: 1583.470 (specify finish)

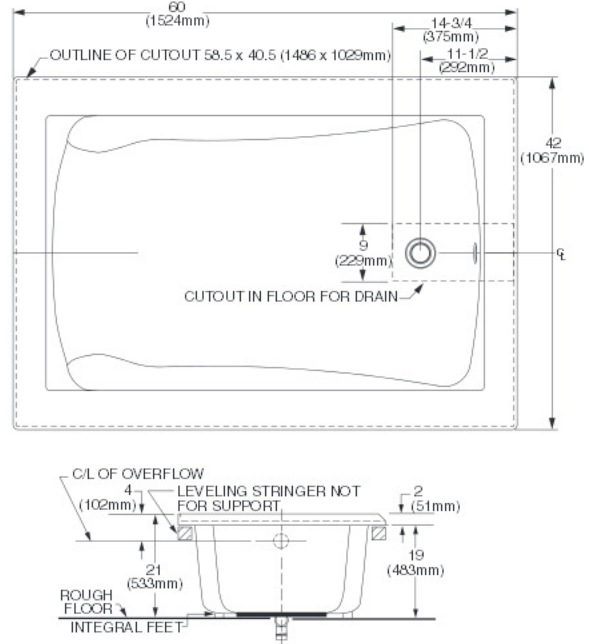
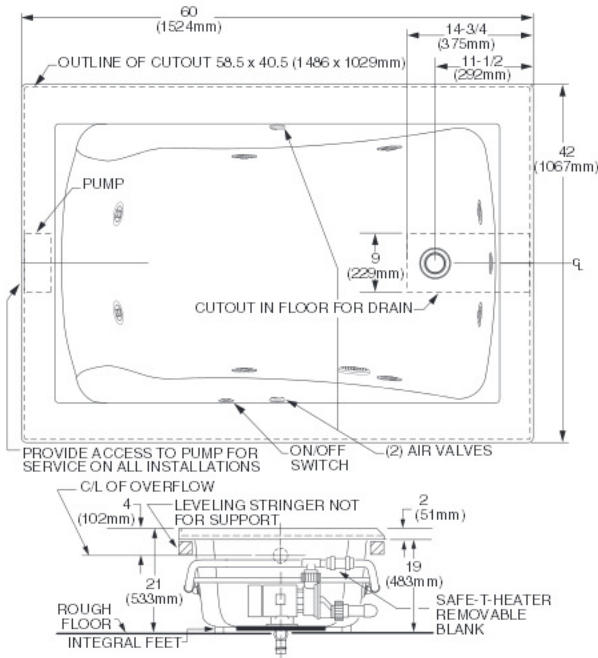
To Be Specified - Optional:

- Safe-T-Heater*: 9075.120
- Jet Trim Ring Kit: 9860.200-two per kit (specify finish)
- Universal Tile Bead Kit: 751755-100

For color/finish availability and other faucet choices, please see the Product Selector and Pricing Guide.

* **NOTE:** the Safe-T-Heater is designed to maintain water temperature during operation. It will not heat cold water to desired bathing temperature.

SEE REVERSE FOR PRODUCT DIMENSIONS
AND SPECIFICATIONS



GENERAL SPECIFICATIONS FOR 3574 WHIRLPOOL	
INSTALLED SIZE	59-3/4 x 42 x 21 In. (1518 x 1060 x 533mm)
WEIGHT	115 Lbs. (52 Kg.)
WEIGHT w/WATER	656 Lbs. (298 Kg.)
GAL. TO OVERFLOW	65 Gal. (246 L.)
MIN. OPERATING GAL.	47 Gal. (178 L.)
BATHING WELL AT SUMP	24-1/2 x 42 In. (622mm x 1067mm)
BATHING WELL AT RIM	48 x 33 In. (1219mm x 838mm)
WATER DEPTH TO OVERFLOW	14 In. (356mm)
FLOOR LOADING (PROJECTED AREA)	38 Lbs./Sq. Ft. (185 Kgs/Sq. m.)
PTS.	27.8
CUBE (FT ³)	47.4
WHIRLPOOL ELECTRICAL SPECIFICATIONS	
SYSTEM I PUMP	1.4 HP, 7.5 AMPS, 120V.

GENERAL SPECIFICATIONS FOR 3574 BATHING POOL	
INSTALLED SIZE	59-3/4 x 42 x 21 In. (1518 x 1060 x 533mm)
WEIGHT	78 Lbs. (35 Kg.)
WEIGHT w/WATER	619 Lbs. (281 Kg.)
GAL. TO OVERFLOW	65 Gal. (246 L.)
BATHING WELL AT SUMP	24-1/2 x 42 In. (622mm x 1067mm)
BATHING WELL AT RIM	48 x 33 In. (1219mm x 838mm)
WATER DEPTH TO OVERFLOW	14 In. (356mm)
FLOOR LOADING (PROJECTED AREA)	36 Lbs./Sq. Ft. (175 Kgs/Sq. m.)
PTS.	27.8
CUBE (FT ³)	47.4

NOTES:

BATH CAN BE INSTALLED EITHER ABOVE OR BELOW FLOOR LINE AS PIER, ISLAND, OR PENINSULA TYPE INSTALLATION. SUMP OF BATH IS SUPPORTED BY INTEGRAL FEET. NO ADDITIONAL SUPPORT REQUIRED. ENCLOSING MATERIAL BY OTHERS.

■ REFER TO INSTALLATION INSTRUCTIONS SUPPLIED WITH WHIRLPOOL FOR ADDITIONAL INFORMATION.

OPTIONAL 3 WALL TILING BEAD. KIT AVAILABLE AND MUST BE ORDERED SEPARATELY.

● FITTINGS NOT INCLUDED AND MUST BE ORDERED SEPARATELY.

PROVIDE SUITABLE REINFORCEMENT FOR ALL SUPPORTS.

● IF INSTALLING A DECK-MOUNTED FITTING, BEFORE DRILLING ANY HOLES: CHECK FOR INTERFERENCE WITH CIRCULATING SYSTEM PIPING, DRAIN OVERFLOW, AND APRON INSTALLATION. MOUNTING HOLES DRILLED BY INSTALLER.

IMPORTANT: Dimensions of fixtures are nominal and may vary within the range of tolerances established by ANSI Standard Z124.1. These measurements are subject to change or cancellation. No responsibility is assumed for use of superseded or voided leaflet.