

**FEATURES:**

- Forged brass construction.
- Thermostatic valve cartridge: 18.30.082
- Shut-off cartridge: (1) 18.30.036
- Screw driver spring check valve: (2) 18.30.181
- 14.5 GPM @ 45PSI (9.5 top exit)
- Meets: ASME A112.18.1-2005/CSAB125.1-2005

**1/2" Thermostatic**

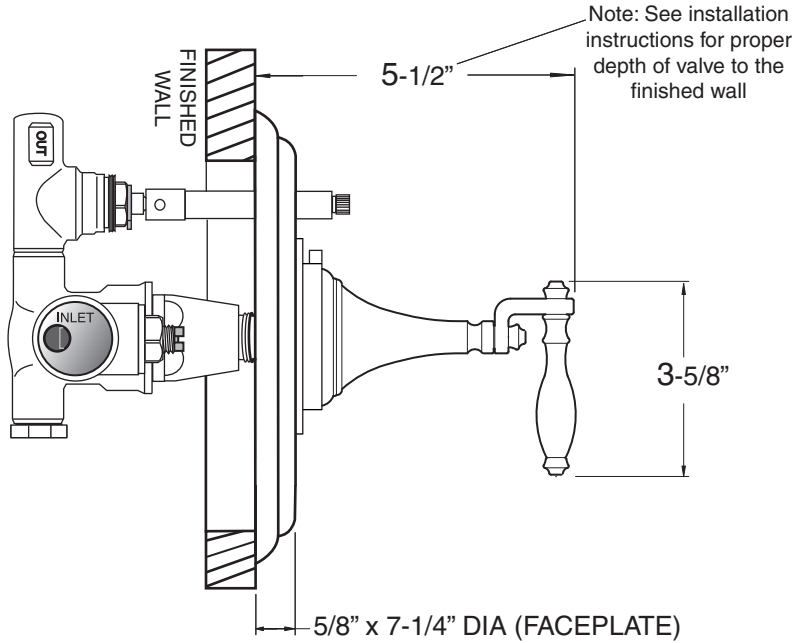
One Volume Control  
Valve & Trim

1.002096.V1

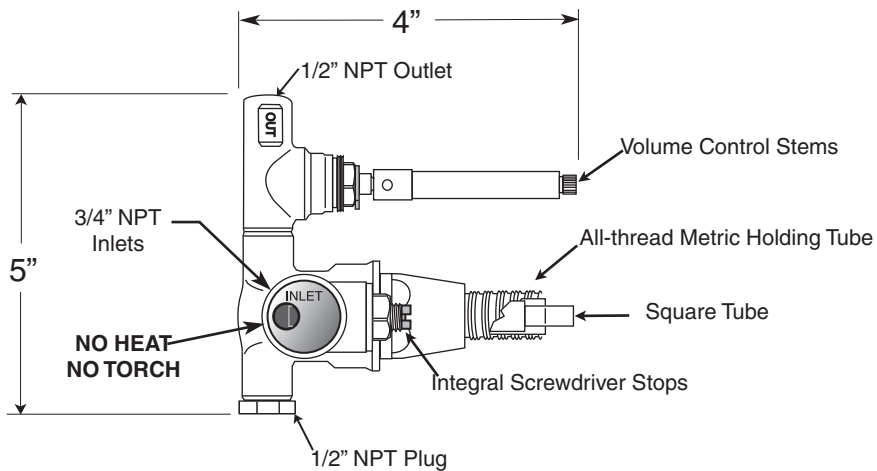
Toronto Handle

(1.002096.V1T Trim Only)

**SIDE VIEW - INSTALLED**

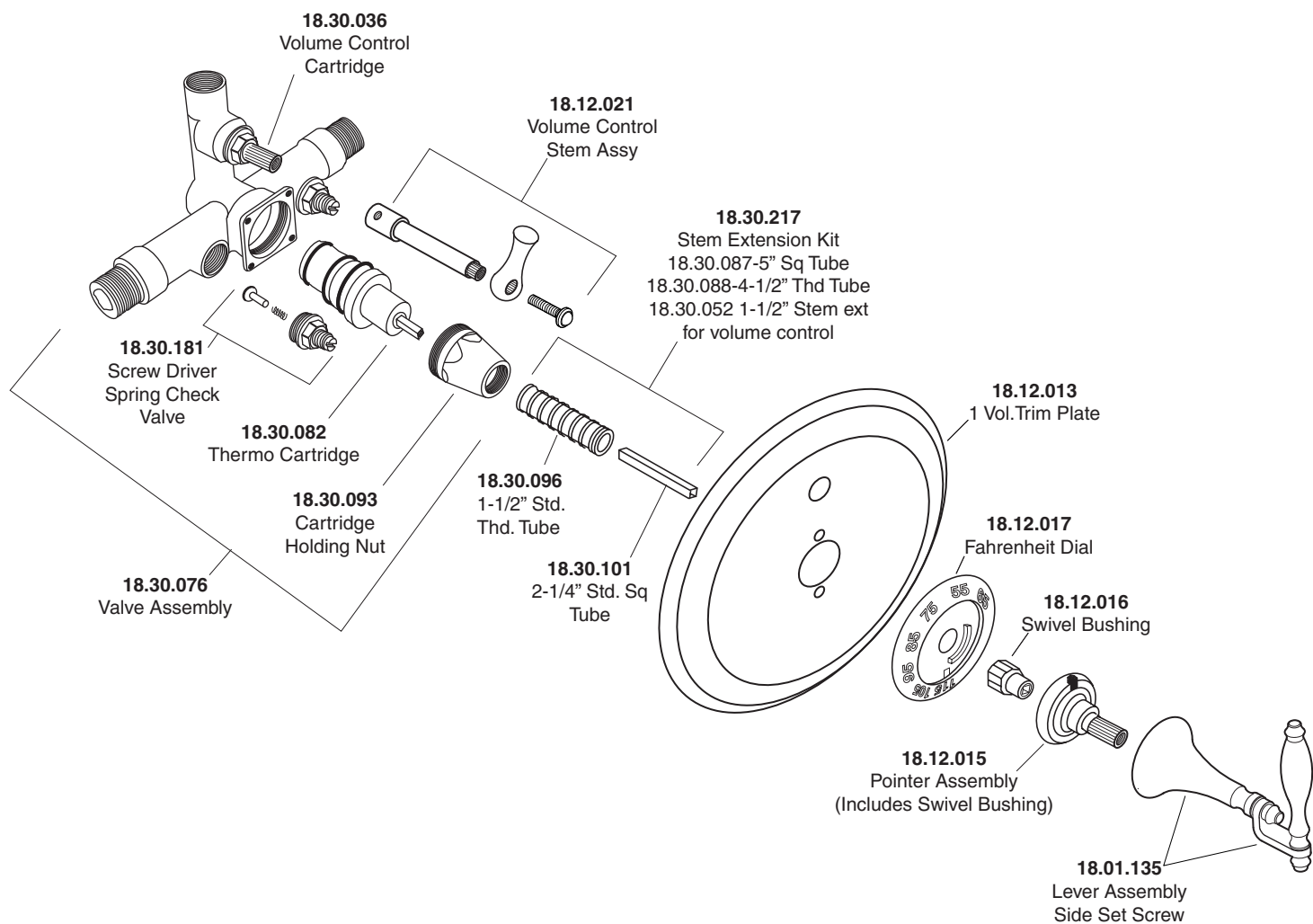


**SIDE VIEW - VALVE ONLY**



Note: Measurements are subject to change or cancellation. No responsibility is assumed for use of superseded or voided pages.

## 1/2" Thermostatic One Volume Control



American Faucet & Coatings Corporation.

Tel: 760-598-5895, Toll Free Fax 800-621-8383, customerservice@sigmafaucet.com