

4

3

2

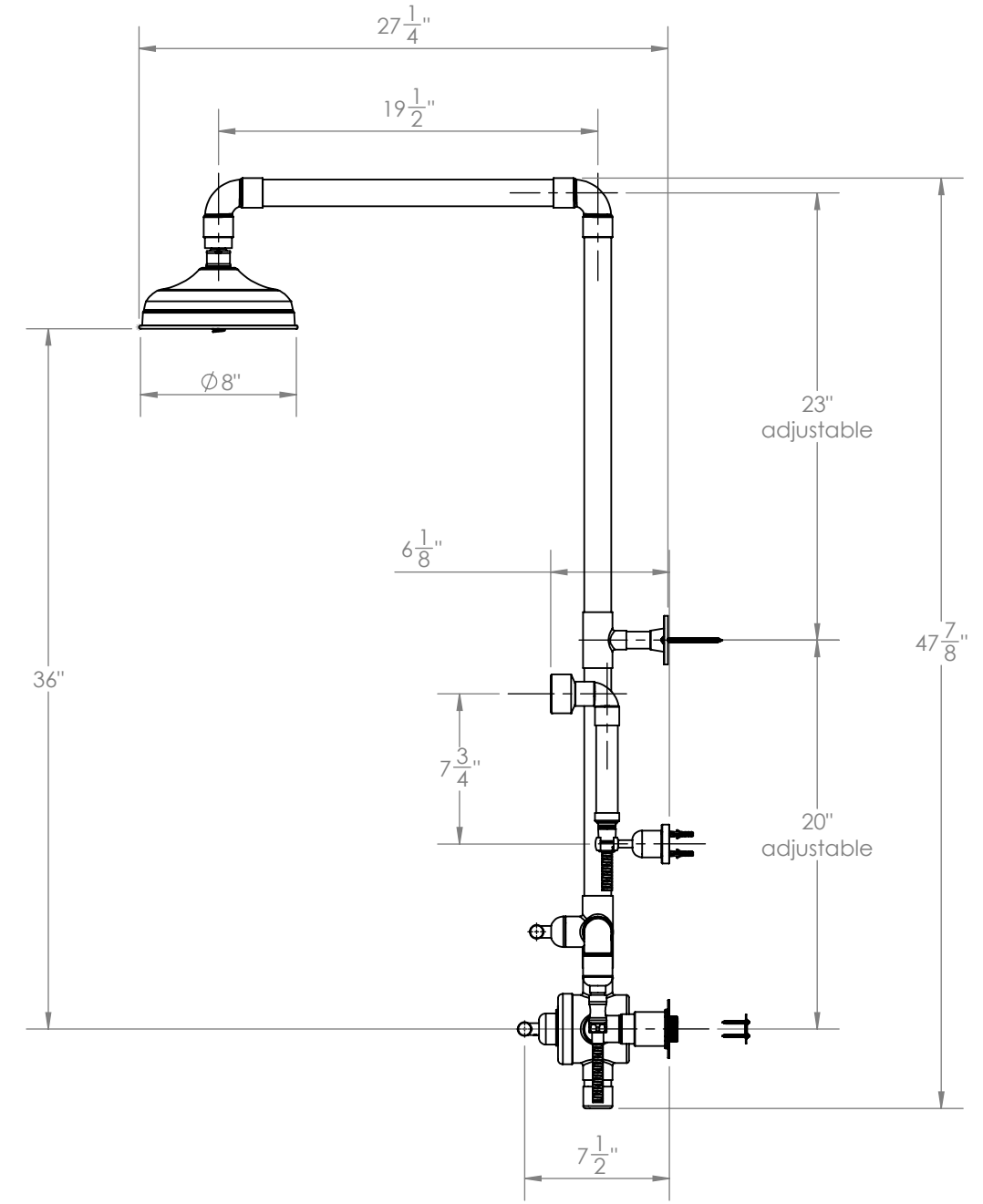
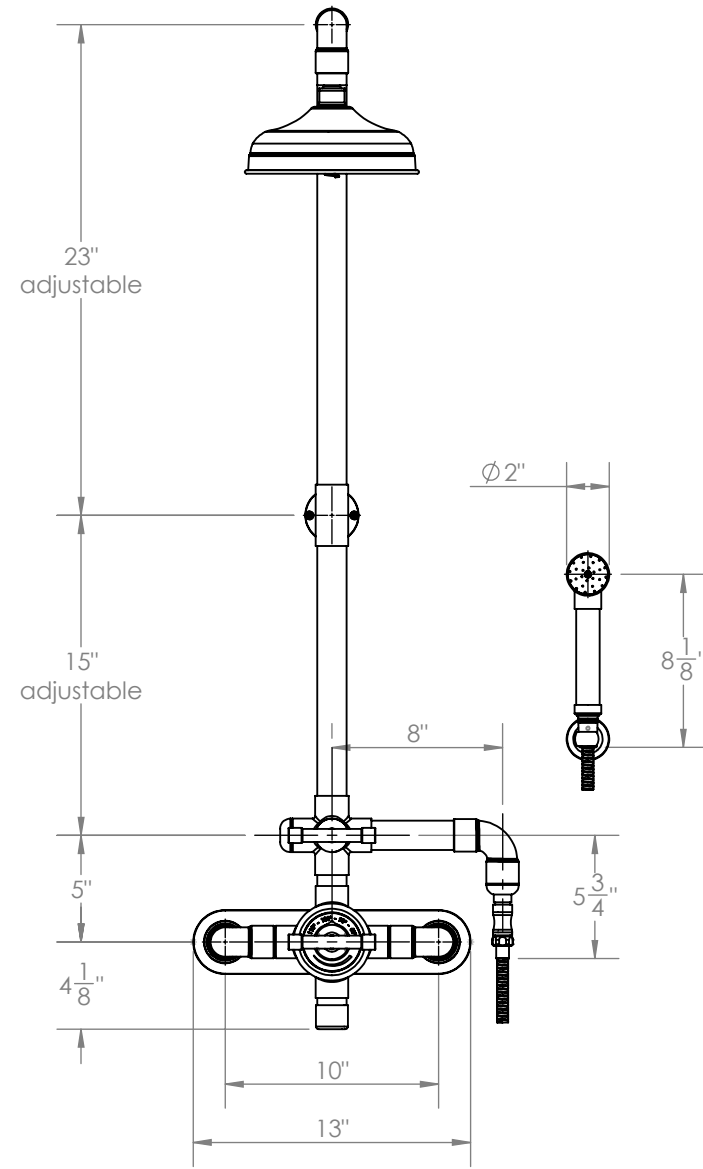
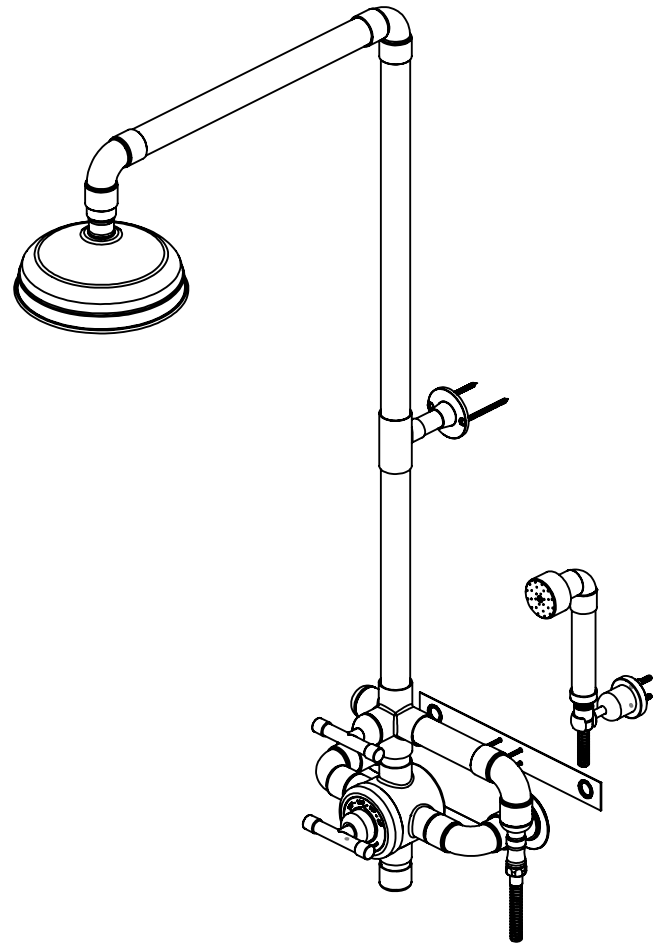
1

B

B

A

A



**PROPRIETARY AND CONFIDENTIAL**  
 THE INFORMATION CONTAINED IN THIS DRAWING IS THE SOLE PROPERTY OF Sonoma Forge. ANY REPRODUCTION IN PART OR AS A WHOLE WITHOUT THE WRITTEN PERMISSION OF Sonoma Forge IS PROHIBITED.

|             |         |   |  |           |      |                                 |   |
|-------------|---------|---|--|-----------|------|---------------------------------|---|
|             |         | UNLESS OTHERWISE SPECIFIED:                         |  | NAME      | DATE | Sonoma Forge                    |   |
|             |         | DIMENSIONS ARE IN INCHES<br>TOLERANCES: .005"       |  | DRAWN     | TAD  | 11/10/2021                      | TITLE:<br><br>Waterbridge<br>650<br>Wall Mounted<br>Thermostatic Shower |
|             |         | FRACTIONAL ±  |  | CHECKED   |      |                                 |   |
|             |         | ANGULAR: MACH ± BEND ±                              |  | ENG APPR. |      |                                 |   |
|             |         | TWO PLACE DECIMAL ±.01<br>THREE PLACE DECIMAL ±.005 |  | MFG APPR. |      |                                 |   |
|             |         | INTERPRET GEOMETRIC<br>TOLERANCING PER:             |  | Q.A.      |      |                                 | SIZE DWG. NO. REV<br><b>B</b> WB-SHW-650                                |
|             |         | MATERIAL  |  | COMMENTS: |      |                                 |   |
| NEXT ASSY   | USED ON | FINISH  |  |           |      | SCALE: 1:9 WEIGHT: SHEET 1 OF 1 |   |
| APPLICATION |         | DO NOT SCALE DRAWING                                |  |           |      |                                 |   |

4

3

2

1