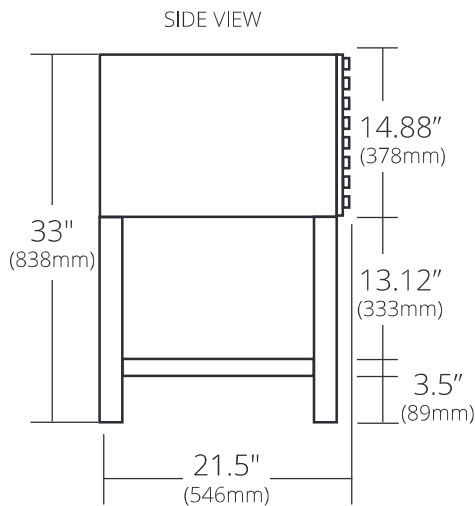
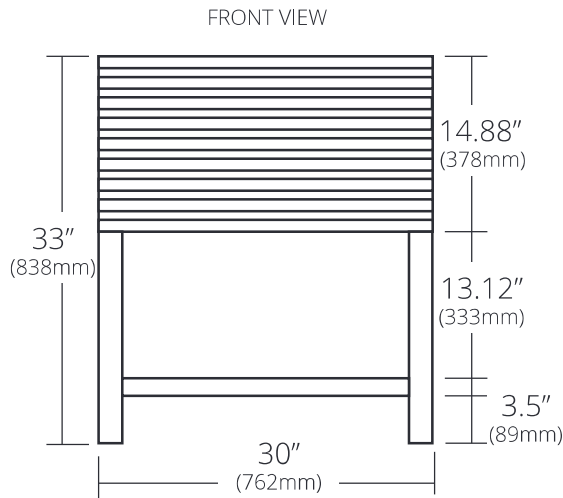


*SPECIFICATIONS*

**WINEMAKER 30" VANITY**

*Winemaker Series*



VNM301 - Cask Oak (shown)  
VNM308 - Charred Oak

**PRODUCT DETAILS**

- 30"w x 21.5"d x 33"h (762mm x 546mm x 838mm)
- Reclaimed wine-infused oak staves
- Black steel legs
- Full-extension drawer with soft-close slides and U-channel for P-Trap
- Low VOC water-resistant finish

**INSTALLATION**

- Freestanding vanity base

**COORDINATING PRODUCTS**

- Winemaker Mirror
- Any Native Trails vanity top
- Combine with any Native Trails sink less than 7" deep

**IMPORTANT**

Due to the handcrafted nature of this product, it will vary in finish, texture, and other details. Dimensions may vary up to 1/4" (6mm).