

## VAN30A1-015-BRS or SLV

30" WOOD VANITY WITH MOTHER OF PEARL  
WITH 3" ARTISAN GLASS HARDWARE  
ÉGLOMISÉ PRISM GLASS

### DETAILS

Wood Grain Cabinet with Matte Finish  
Full Finished Solid Back *opening should be cut by installer*  
Adjustable Interior Shelf  
3 Way Adjustable European Soft Close Hinges  
OD: **W 30" x D 22"**  
Vanities are Hand-crafted

### HARDWARE AND LEG FINISH OPTIONS

	<b>PB</b>	Polished Brass		<b>PN</b>	Polished Nickel
	<b>SB</b>	Satin Brass		<b>SN</b>	Satin Nickel

### 30" VANITY TOP OPTIONS

(Vanity Top Sold Separately See Vanity Top Spec Sheet for Details)

**Outside Dimensions W 30" D 22" H 1.5"**

(Vanity Top includes 4" Backsplash)

### WHITE VANITY TOPS

<b>VT30W-01</b>	18" x 12" Sink Cutout with 1 Faucet Hole
<b>VT30W-03</b>	18" x 12" Sink Cutout with 3 Faucet Holes

### GRAY VANITY TOPS

<b>VT30G-01</b>	18" x 12" Sink Cutout with 1 Faucet Hole
<b>VT30G-03</b>	18" x 12" Sink Cutout with 3 Faucet Holes

### INSTALLATION

We recommend consulting a professional if you are unfamiliar with installing bathroom fixtures and plumbing. Linkasink accepts no liability for any damage to the floor, walls, plumbing, or personal injury during installation.

### CARE

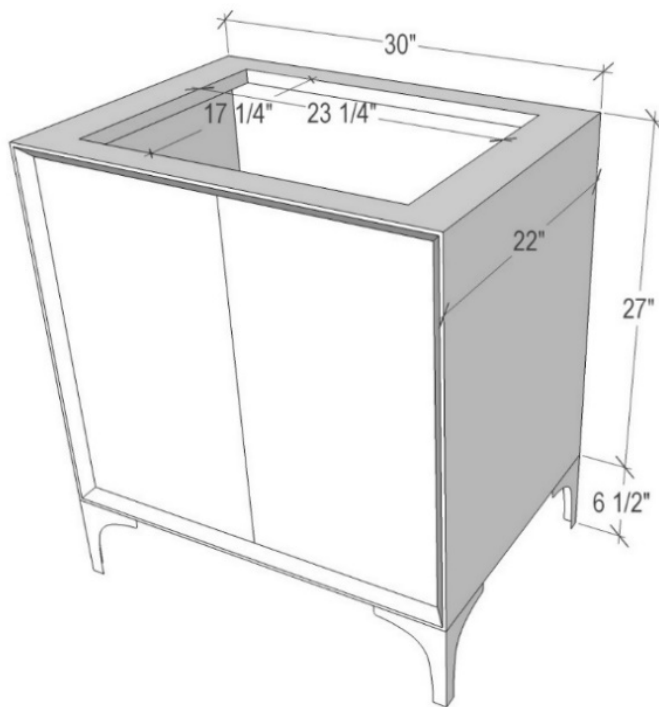
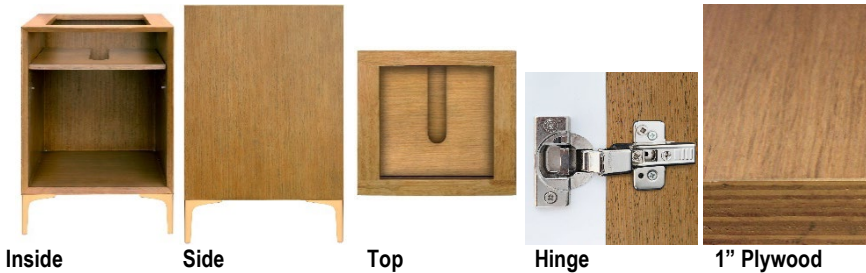
Clean vanity, hardware, and countertop with a soft cloth dampened with water. Avoid any harsh abrasives and harsh chemicals/acidic cleaning products.  
For hardware: A clear paste wax may be applied periodically to protect the finish and help with water spotting.

### WARRANTY

Linkasink warranties our product to be free from manufacturing defect for the life of the product. Warranty does not cover improper care, neglect, abuse or normal wear-and-tear.



Shown in PB



### DIMENSIONS WILL VARY

**DO NOT** use this sheet as a guide for countertop cuts. Due to the handmade nature of each product, templates are not provided.