

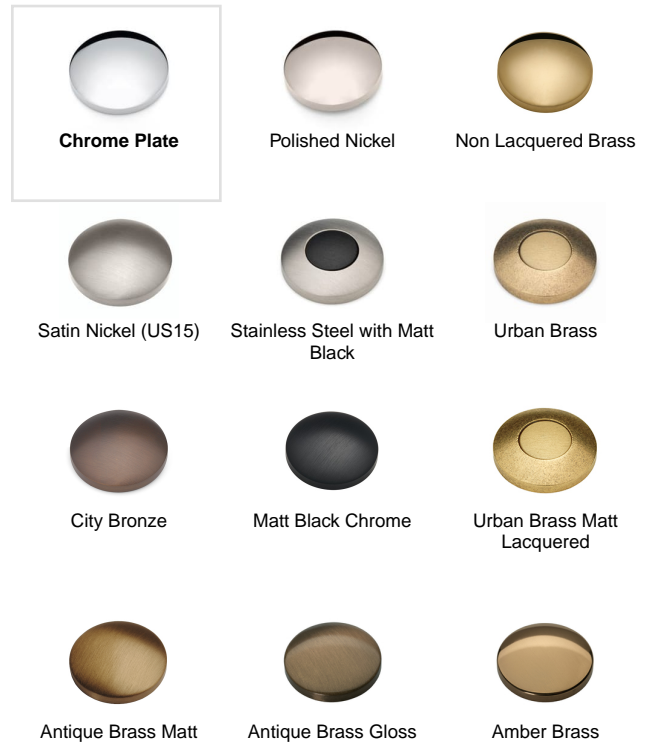
SAMUEL HEATH

Product Number: V7B1AXLF9-CP

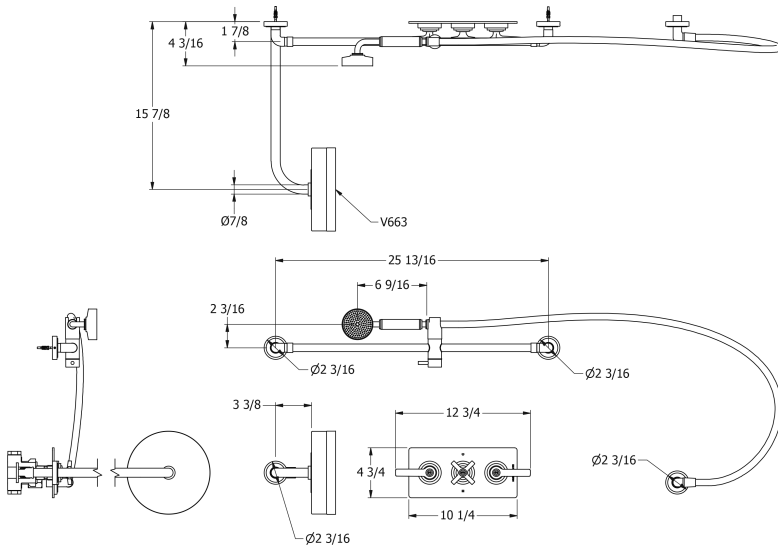
Description: 1/2" Concealed thermostatic shower - 2 volume controls



Finishes Available



Specification Drawing



Kit Components



UK Customer Service
 Leopold Street
 Birmingham
 B12 0UJ
 Tel: +44 121 766 4200
 Email: info@samuel-heath.com

US Customer Service
 Federal I.D. No. 58-1504682
 Email: usa@samuel-heath.com

Specification Enquiries
 Design Centre Chelsea Harbour
 1st Floor, North Dome, London
 SW10 0XE
 Tel: 020 7352 0249
 Email: showroom@samuel-heath.com

1-30/04/2024