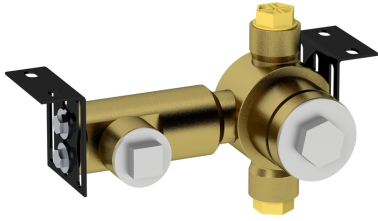


# SAMUEL HEATH

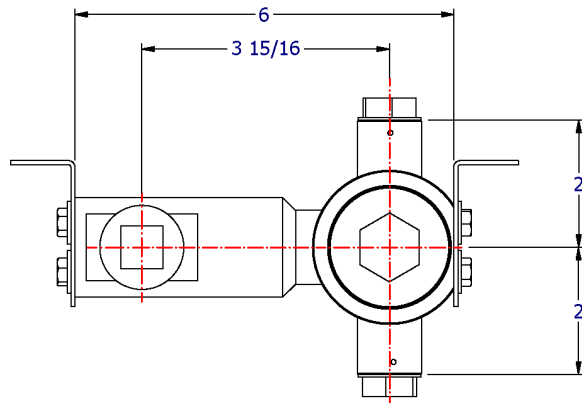
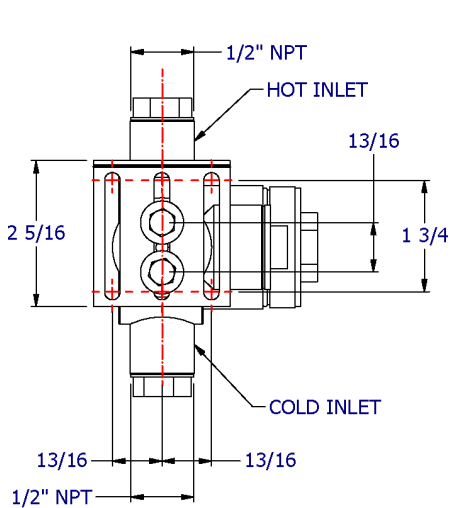
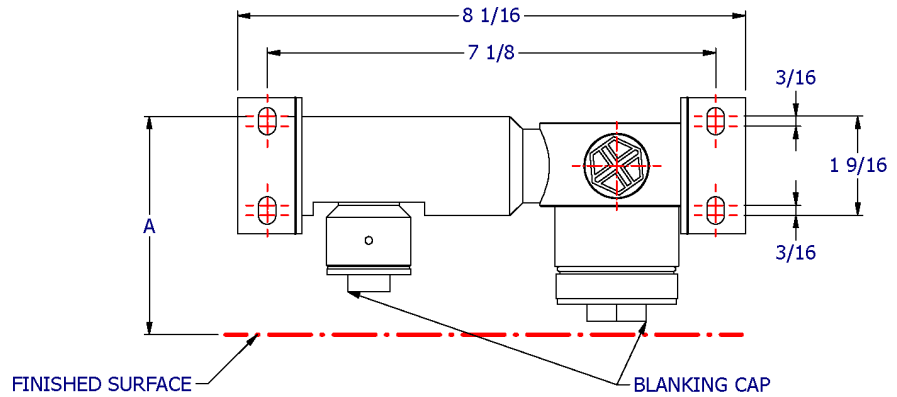
**Product Number:** V720V2-RH-AIS

**Description:** 2 Hole wall mounted filler rough, right handed



## Specification Drawing

TRIM	DIMENSION "A" RANGE
V720V2-A-T	2 7/8 TO 3 5/16
V735V2-A-T	2 7/8 TO 3 5/16



**UK Customer Service**  
 Leopold Street  
 Birmingham  
 B12 0UJ  
 Tel: +44 121 766 4200  
 Email: info@samuel-heath.com

**US Customer Service**  
 Federal I.D. No. 58-1504682  
 Email: usa@samuel-heath.com

**Specification Enquiries**  
 Design Centre Chelsea Harbour  
 1st Floor, North Dome, London  
 SW10 0XE  
 Tel: 020 7352 0249  
 Email: showroom@samuel-heath.com

1-30/04/2024