

# SAMUEL HEATH

**Product Number:** V707-TLF-CP

**Description:** Trim set for V607-AIS volume control



## Standards



## Flow rates

| Gallons/Min | 1.5 PSI | 7.3 PSI | 14.5 PSI | 29.0 PSI | 43.5 PSI | 58.0 PSI | 72.5 PSI |
|-------------|---------|---------|----------|----------|----------|----------|----------|
| 1/2" Feed   |         |         |          |          |          |          |          |
| 3/4" Feed   |         | 1.6     | 5.9      | 7.7      | 9.0      | 10.1     | 10.8     |

Flow rate data provided is indicative of each product and is given in open outlet conditions. Installation design, external connections and fittings not supplied may affect the data provided.

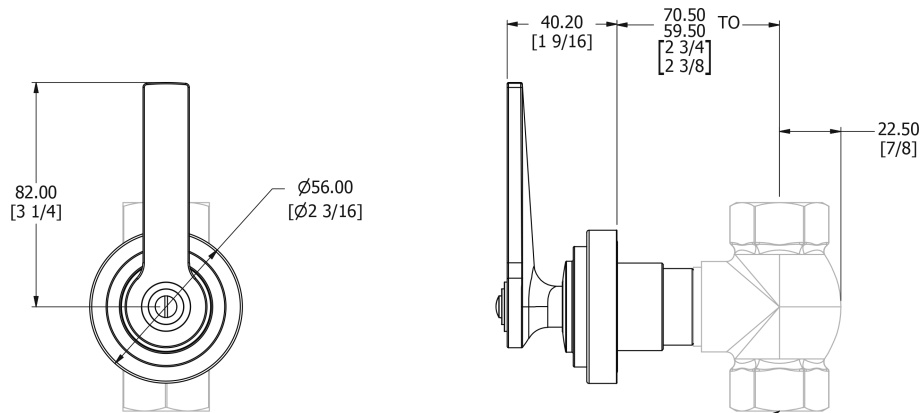
## Finishes Available



## Control Options Available



## Specification Drawing



SEE INSTALLATION KIT DRAWING  
UK & EU: V607-IS-XX  
US: V607-AIS-XX

### UK Customer Service

Leopold Street  
Birmingham  
B12 0UJ  
Tel: +44 121 766 4200  
Email: info@samuel-heath.com

### US Customer Service

Federal I.D. No. 58-1504682  
Email: usa@samuel-heath.com

### Specification Enquiries

Design Centre Chelsea Harbour  
1st Floor, North Dome, London  
SW10 0XE  
Tel: 020 7352 0249  
Email: showroom@samuel-heath.com