

# SAMUEL HEATH

**Product Number:** V2K7AXGC8

**Description:** Exposed 1/2" thermostatic shower set - single volume control



## Standards



## Finishes Available



Chrome Plate



Polished Nickel



Non Lacquered  
Brass



Antique Gold

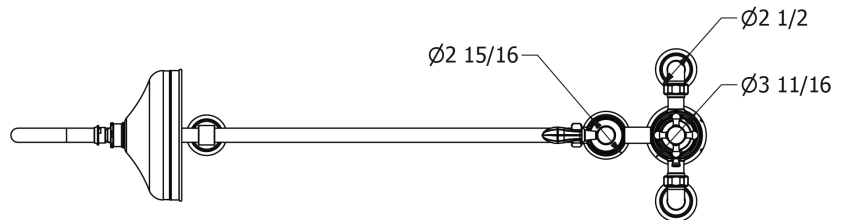
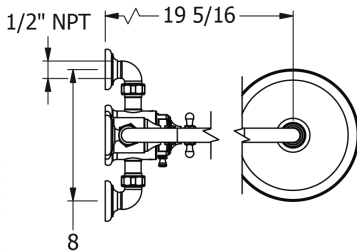
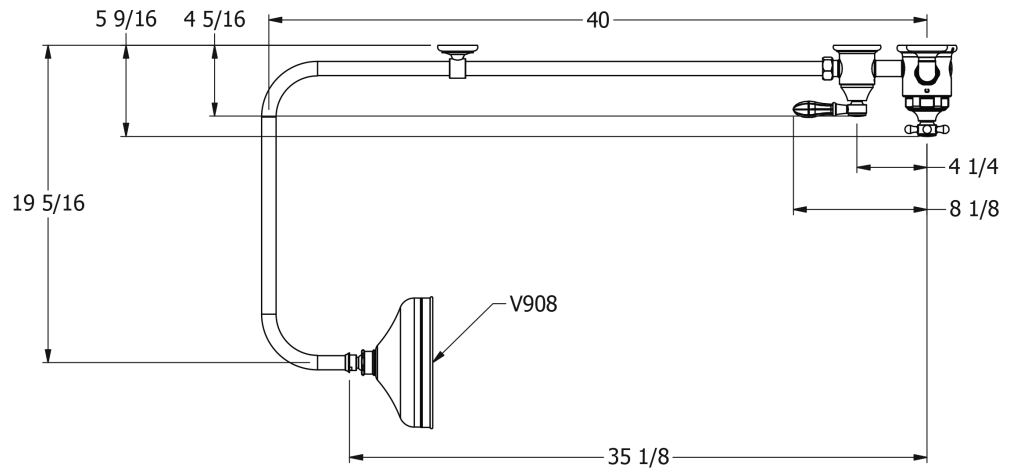


Satin Nickel  
(US15)



Brushed Gold  
Unlacquered

## Specification Drawing



### UK Customer Service

Leopold Street  
Birmingham  
B12 0UJ  
Tel: +44 121 766 4200  
Email: info@samuel-heath.com

### US Customer Service

Federal I.D. No. 58-1504682  
Email: usa@samuel-heath.com

### Specification Enquiries

Design Centre Chelsea Harbour  
1st Floor, North Dome, London  
SW10 0XE  
Tel: 020 7352 0249  
Email: showroom@samuel-heath.com

1-30/04/2024