

SAMUEL HEATH

Product Number: V207-T2C

Description: Trim set for V607-AIS volume control



Standards

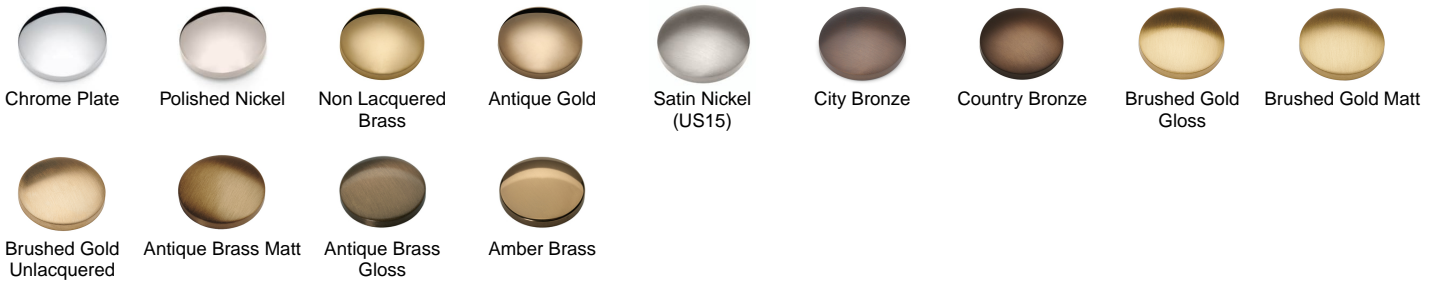


Flow rates

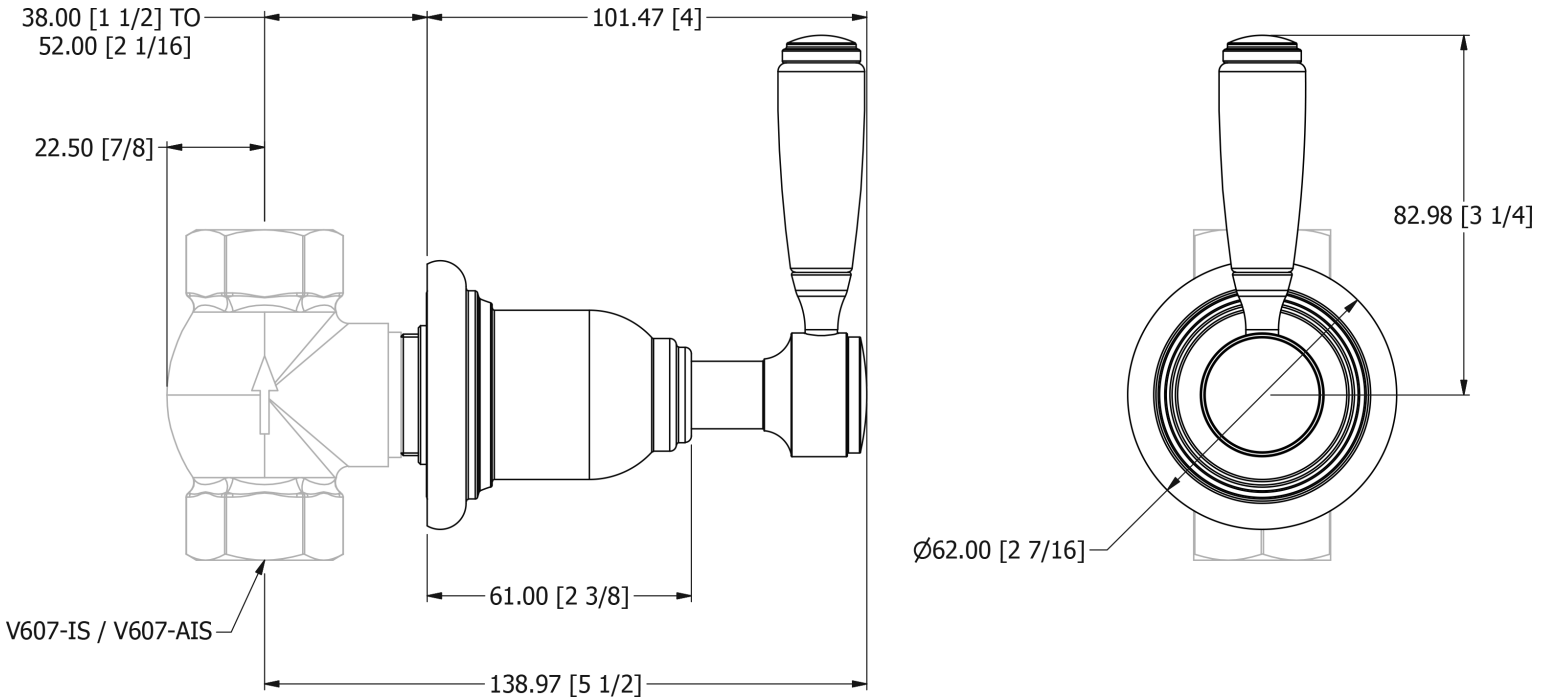
| Gallons/Min | 1.5 PSI | 7.3 PSI | 14.5 PSI | 29.0 PSI | 43.5 PSI | 58.0 PSI | 72.5 PSI |
|-------------|---------|---------|----------|----------|----------|----------|----------|
| 1/2" Feed | | | | | | | |
| 3/4" Feed | | 1.6 | 5.9 | 7.7 | 9.0 | 10.1 | 10.8 |

Flow rate data provided is indicative of each product and is given in open outlet conditions. Installation design, external connections and fittings not supplied may affect the data provided.

Finishes Available



Specification Drawing



UK Customer Service
 Leopold Street
 Birmingham
 B12 0UJ
 Tel: +44 121 766 4200
 Email: info@samuel-heath.com

US Customer Service
 Federal I.D. No. 58-1504682
 Email: usa@samuel-heath.com

Specification Enquiries
 Design Centre Chelsea Harbour
 1st Floor, North Dome, London
 SW10 0XE
 Tel: 020 7352 0249
 Email: showroom@samuel-heath.com