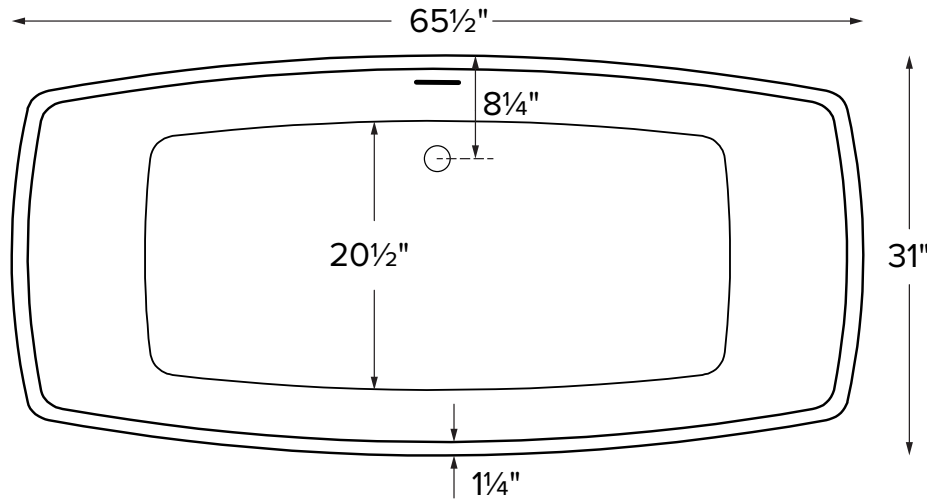


# Cosmopolitan Collection Tubs

## Marcel

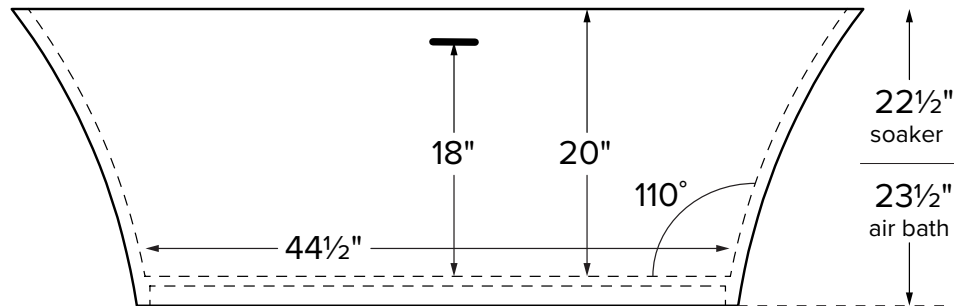
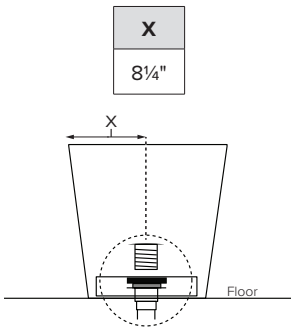


MODEL 402
65.5" x 31" x 22.5" / 23.5"
FREESTANDING 80 gal to overflow
<b>Mineral Composite</b>
159 lbs / 72 kg soaker
Filling this tub to the maximum may require an above average size or dedicated water heater.



**IMPORTANT**  
Air bath is 1" taller than soaker

Drain Rough-In Measurement



ELECTRICAL COMPONENTS & SPECIFICATIONS		
Required Electrical Service - 110 Volt		
Hydrotherapy Package	Components Included	GFCI
Air Massage	heated blower	1-15 amp
Electrical requirements may change with the addition of optional therapy components. See specific option details or installation information. CSA Certified C/US; B45.5/IAPMO ANSI Z124.1 and ANSI 112.19.7		

See the Installation & Operation Manual for more details.  
MTI's Customer Service: Monday-Friday 8am-6pm EST  
800-783-8827 or service@mtibaths.com

### ORDERING AND INSTALLATION

- Before ordering or installing, please consider future access to equipment.
- Integrated overflow with toe tap drain included.
- Air baths require job site preparations for remote mounting the blower and required check valve. Check valve must be installed higher than the rim of the tub.
- Waterproof remote control included. Keypad is shipped loose and may be mounted nearby.
- Faucet valves cannot be installed on this tub model.

• Before discarding tub packaging, check for accessories that may be packaged inside.  
• All product measurements are  $\pm 1/2"$ .  
• Specifications and configurations are subject to change without notice.  
• Measurements herein supersede all others published prior to publication date below.

