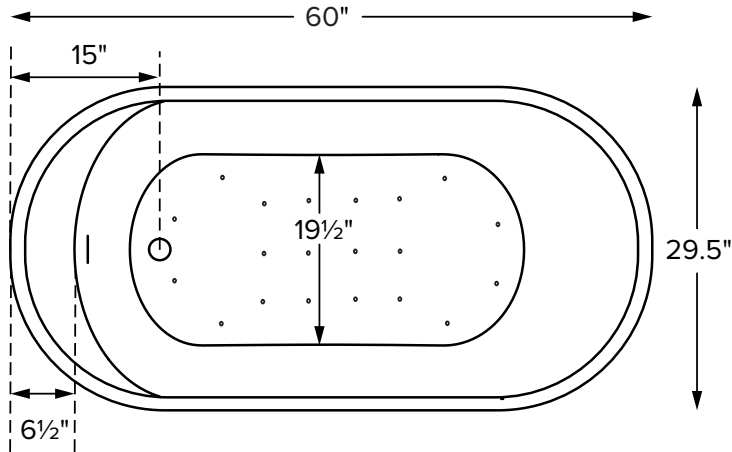


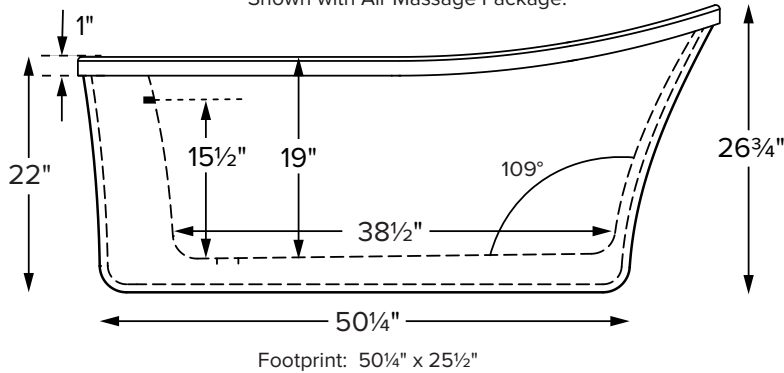
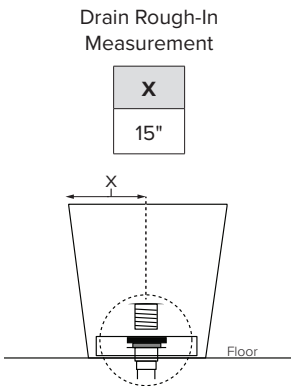
Eryn



MODEL 267	
60" x 29.5" x 22"	
FREESTANDING 53 gal to overflow	
Acrylic CXL®	DoloMatte®
100 lbs / 45 kg	<SOAKER> 113 lbs / 51 kg
Filling this tub to the maximum may require an above average size or dedicated water heater.	



The Eryn features a flat deck on the drain side for mounting faucetry. Shown with Air Massage Package.



**ELECTRICAL COMPONENTS & SPECIFICATIONS**

Hydrotherapy Package	Components Included	110V GFCI
Air Massage	heated blower	1-15 amp
Air Massage Elite	heated blower, chromatherapy	1-15 amp

Electrical requirements may change with the addition of optional therapy components. See specific option details or installation information. CSA Certified C/US; B45.5/IAPMO ANSI Z124.1 and ANSI 112.19.7

**IMPORTANT ORDERING & INSTALLATION INFORMATION:**

- Before ordering or installing, please consider future access to equipment.
- No access panel. Tub features slotted integrated overflow with toe tap drain.
- Space between tub walls and underneath for installation of valves and toe tap drain.
- Hydrotherapy equipment may ship loose for remote installation depending on tub model. See bullets at the top of the next page for details.
- Radiance placed on floor locations will affect placement of air jets.
- All tubs are in accordance with CSA B45.5/IAPMO Z124 standard and compliant with ASTM C 1028-07 coefficient of friction. DoloMatte meets ANSI A137.1/A326.3 coefficient of friction and AS HB198:2014 pendulum slip resistance testing.

• Before discarding tub packaging, check for accessories that may be packaged inside.  
 • All product measurements are ±1/2".  
 • Specifications and configurations are subject to change without notice.  
 • Measurements herein supersede all others published prior to publication date below.



For more information on options and accessories go to  
Acrylic CXL / DoloMatte Tub Options on [mtibaths.com](http://mtibaths.com)

## Designer Collection Tubs

- Airbath blower and keypad ship loose for remote installation on site.
- Secondary remote check valve must be installed higher than the rim of the tub.
- See the Installation & Operation Manual for more details.

**Eryn**  
MODEL 267  
60" x 29.5" x 22"

Hydrotherapy Packages	Package Contents	Acrylic CXL®		DoloMatte®	
		Part #	MSRP	Part #	MSRP
Soaker	Soaking bath - no jets; includes a pre-leveled foam base and integrated slotted overflow with toe-tap drain kit in chrome. Overall height at the backrest is 26.75" and step in height is 22".	<b>S267</b>	\$--	<b>S267DM</b>	\$--
Air Massage	20 air jets, heated air blower, pre-leveled foam base and integrated slotted overflow with toe-tap drain kit in chrome. Overall height at the backrest is 26.75" and step in height is 22".	<b>AST267</b>	\$--	<b>AST267DM</b>	\$--
Air Massage Elite	30 air jets, heated air blower, Chromatherapy LED lighting, Spa Mode, pre-leveled foam base. and integrated slotted overflow with toe-tap drain kit in chrome. Overall height at the backrest is 26.75" and step in height is 22".	<b>AE267</b>	\$--	<b>AE267DM</b>	\$--

### RECOMMENDED SENSORY THERAPIES

#### Chromatherapy

(LE) **\$800** underwater lighting  
2 LED lights included

#### Audiotherapy Not Available with Chromatherapy

(STEREOBT) **\$1,390** 2 transducers  
with bluetooth and amplifier  
(BTREMOTE) **\$600** bluetooth remote

(STEREOH202) **\$1,575** 4 transducers  
amplifier not included

#### Thermotherapy

(RAD100) **\$1,595** Radiance®  
2 heated zones included

### Options *Must be ordered at time of purchase*

**Standard Colors** White (CWH) DoloMatte available in matte white only.  
Biscuit (CBS) Not available for DoloMatte.

**Quick Ship** reduces lead time (QSPRI) \$--  
*Please call for availability*

**Textured Bottom** (TXTBTM) Acrylic CXL® only \$--  
DoloMatte® exceeds ANSI A137.1/A326.3 and AS HB198 slip tests.

**Virtual Spout** high-flow integrated tub filler (FPMJ) \$--  
Access panel required

### Accessories

**Pillows** from \$--

**Teak Bath Mat** (TKMAT3018) \$--  
*Custom sizes also available. Contact MTI for details and pricing.*

**Teak Tub Tray**  
Slatted (TK-TRAY1) \$-- Solid (TK-TRAY2) \$--

### Drains & Overflow Kits *Must be ordered at time of purchase*

#### Integrated Overflow with Toe Tap

##### Slotted Overflow

PVC drain - Chrome (SLOTIOC) included

##### Finish Upcharge

White (SLOTIOWHU) \$--

Brushed Nickel (SLOTIOBNU) \$--

Polished Nickel (SLOTIOPNU) \$--

**Brass Tailpiece** (WIOBS) \$--  
*May be ordered separately*

**Quick Connect Drain** - (WOQ) \$--

