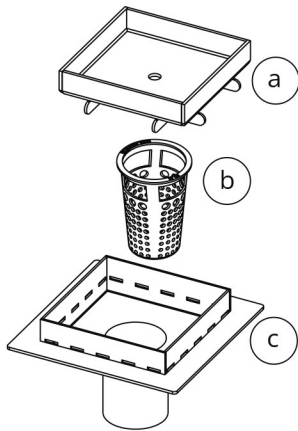


TSR 5 Specifications

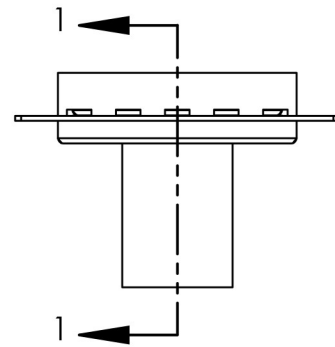
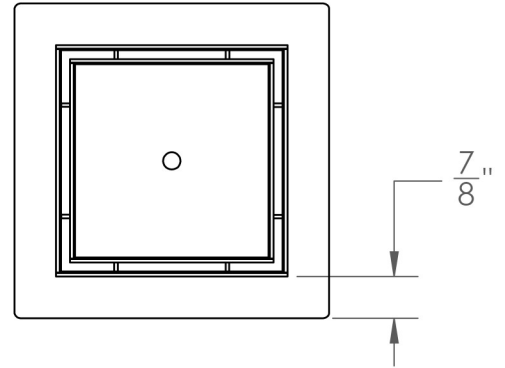
ID Infinity Drain



- (a) TS 5 - Tile Insert Tray
- (b) HB 65 - Hair Basket
- (c) SR 52 - 2" Square Bonded Flange for 3/4" Tile

Finishes Available:

- Satin Stainless (SS)
- Polished Stainless (PS)
- Oil Rubbed Bronze (ORB)
- Satin Bronze (SB)
- Matte Black (BK)
- Satin Champagne (SC)
- Polished Gold (PG)
- Polished Brass (PB)
- Gunmetal (GM)
- Matte White (MW)



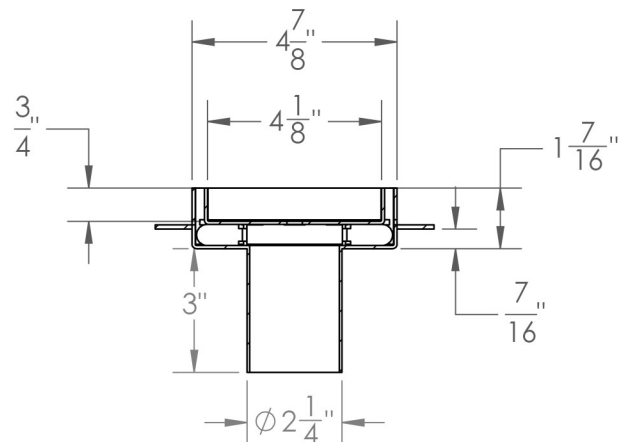
Components:

TSR 5

5" x 5" Tile Drain Strainer with 2" No Hub Outlet.

Kit Includes:

- (4-7/8" L x 4-7/8" W x 1-7/16" H) - Strainer
- 1 - T S 5 - 5" x 5" Stainless Steel Tile Insert Tray
- 1 - SR 52 - Stainless Steel 2" Throat
- 1 - HMK-C2-D Hair Maintenance Kit:
 - 1 - HB 65 Hair Basket
 - 1 - DKEY Lift Out Key



Infinity Drain
 145 Dixon Avenue
 Amityville, NY 11701
 Phone: 516.767.6786
 Fax: 516.740.3066



NOTE: Installer must verify all rough-in dimensions prior to installation and consult local and national codes. Conformity and compliance to local and national codes are the responsibility of the installer.