

SPECIFICATIONS

DESCRIPTION

- Temperature control only
- Rough valve sold separately
- Order 1005N 3/4" thermostatic rough valve_1005N
- Volume control(s) required

STANDARDS

- ASME A112.18.1

WARRANTY

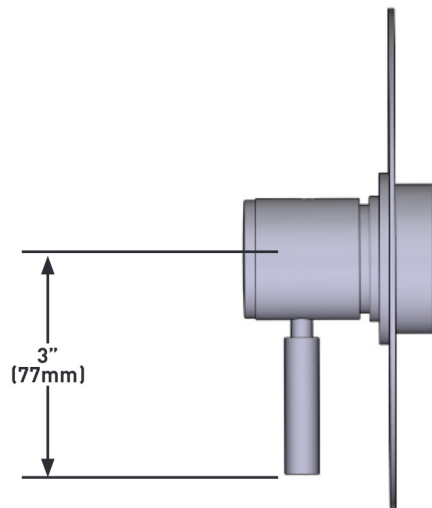
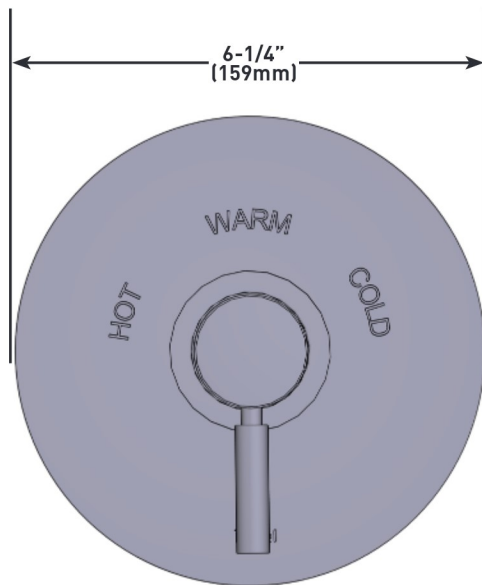
- Most products or parts carry "Limited Warranties" against manufacturing defects. For US customers please visit houseofrohl.com/support and for Canadian customers please visit houseofrohl.ca/support for complete product and finish warranty.



RIU™ 3/4" Thermostatic Trim Without Volume Control

MODELS: TRU13W1LM

UPC®



For warranty or additional information, contact:

US Customers

U.S.A.
houseofrohl.com/support
1-800-777-9762

QUEBEC / MARITIMES / WESTERN CANADA
QUÉBEC / MARITIMES / OUEST CANADIEN
QUEBEC / MARITIMOS / CANADA OCCIDENTAL
houseofrohl.ca/support
1-866-473-8442

Canadian Customers

ONTARIO
houseofrohl.ca/support
1-800-287-5354