

**DESCRIPTION**

- Drain sold separately.
- Rough-in valve sold separately:  
Order RH08WM wall rough-in valve

**FLOW**

- 1.2 GPM/4.5 LPM at 60 PSI (WaterSense and CEC compliant)

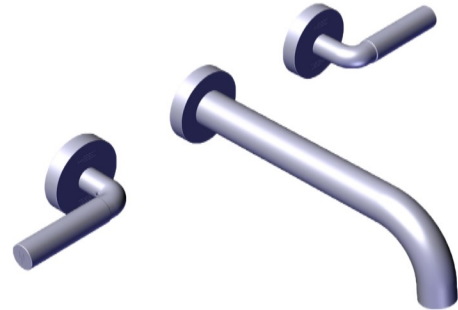
**STANDARDS**

- ASME A112.18.1/CSA B125.1
- NSF 61/9 & 372 Q ≤ 1
- ADA

**WARRANTY**

- Most products or parts carry "Limited Warranties" against manufacturing defects. For US customers please visit [houseofrohl.com/support](http://houseofrohl.com/support) and for Canadian customers please visit [houseofrohl.ca/support](http://houseofrohl.ca/support) for complete product and finish warranty.

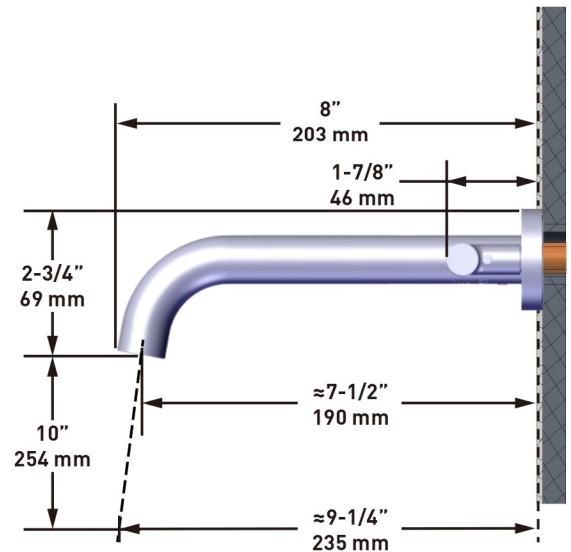
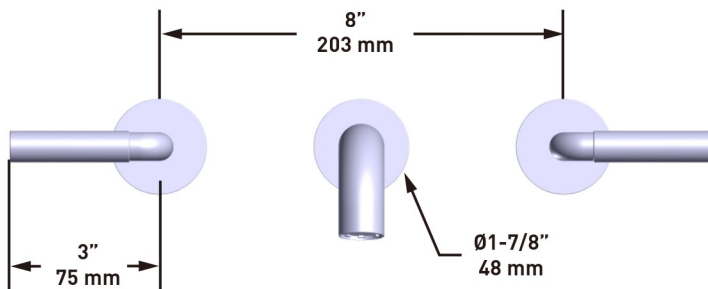
## SPECIFICATIONS



**RIU™**

Wall Mount Lavatory Faucet Trim

**MODELS:** TRU03L



**For warranty or additional information, contact:**

U.S.A.  
[houseofrohl.com/support](http://houseofrohl.com/support)  
1-800-777-9762

QUEBEC / MARITIMES / WESTERN CANADA  
QUÉBEC / MARITIMOS / OUEST CANADIEN  
QUEBEC / MARITIMOS / CANADA OCCIDENTAL  
[houseofrohl.ca/support](http://houseofrohl.ca/support)  
1-866-473-8442

ONTARIO  
[houseofrohl.ca/support](http://houseofrohl.ca/support)  
1-800-287-5354