

TOPAZ 7445



STON COLLECTION

As SHOWN:

Whirlpool option

FEATURES SHOWN:

- Overflow location
- Standard jet location

ALSO AVAILABLE:

- Soaking tub only
- Thermal Air
- Combo

WATER CAPACITY:

110 Gallons

WEIGHT:

210 - 250 Pounds depending on system



Tub must be set in mortar base

DROP-IN INSTALLATION DIMENSIONS:

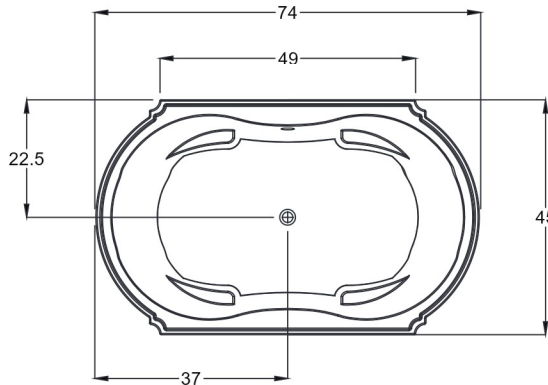
- (L)ength- 72"
- (W)idth- 43"
- (H)eight- 22"

Hydroluxe SS Tub

- Hydroluxe SS model finished in 1-2" thick solid surface material
- Pre-wired pump on pump platform (standard pump location only)
- Integral E-Z level platform facilitates installation

INSTALLATION TIPS:

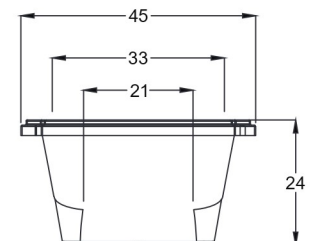
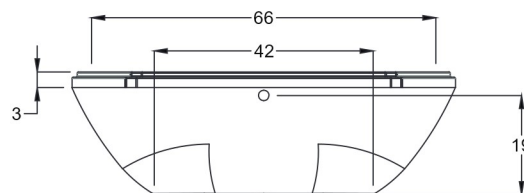
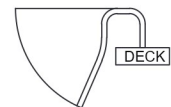
- When adding integral linear drain p-trap location is now below waste
- Adding multiple systems/options may require equipment to stick out from tub deck or be installed remotely



Optional Equipment Dimensions

- Whirlpool Pump: 12" (H) x 16" (L)
- Thermal Air Blower: 5" (H) x 11" (L)
- Hydro Fusion: 7" (H) x 15.5" (L)
- Hydro Indulge: 11" (H) x 19" (L)

RECOMMENDED INSTALLATION:



CODES AND COMPLIANCES

Massachusetts code File no: P1-0614-491



HYDRO SYSTEMS
Family Owned And Operated Since 1978

29132 Avenue Paine, Valencia, CA, 91355
661.775.0686 | hydrossystem.com



All specifications and options subject to change without notice please contact a Hydro Systems representative for more information. Certain options or altering the pump/blower location may cause the pump/blower to extend beyond the tub decking. For cutout dimensions wait for unit to arrive. All specifications subject to change without notice.