

SPECIFICATIONS

DESCRIPTION

- RH21 rough required to complete
- 1/2" inlet female NPT
- Thermostatic/pressure balance coaxial cartridge with check valves
- 1-jet hand shower/scale-free
- 2-way no share
- Trim only

FLOW

- 20.5 L/min, 5.4 gpm (US) 60psi

STANDARDS

- ASME A112.18.1 / CSA B125.1
- ASSE 1016
- ADA

WARRANTY

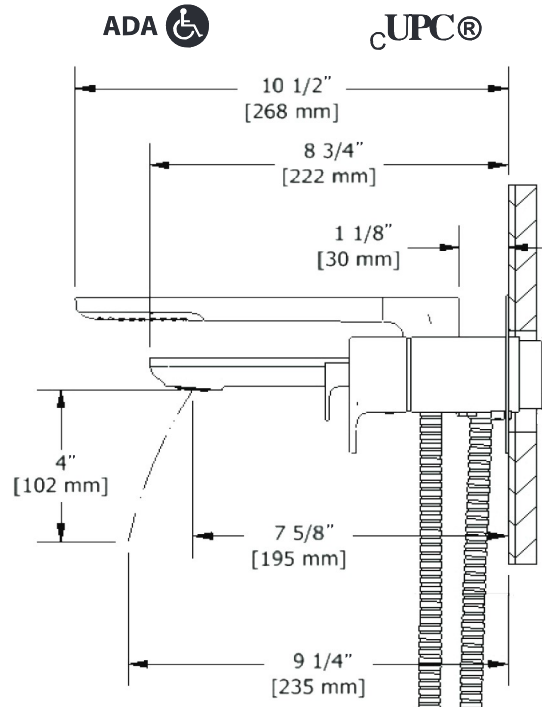
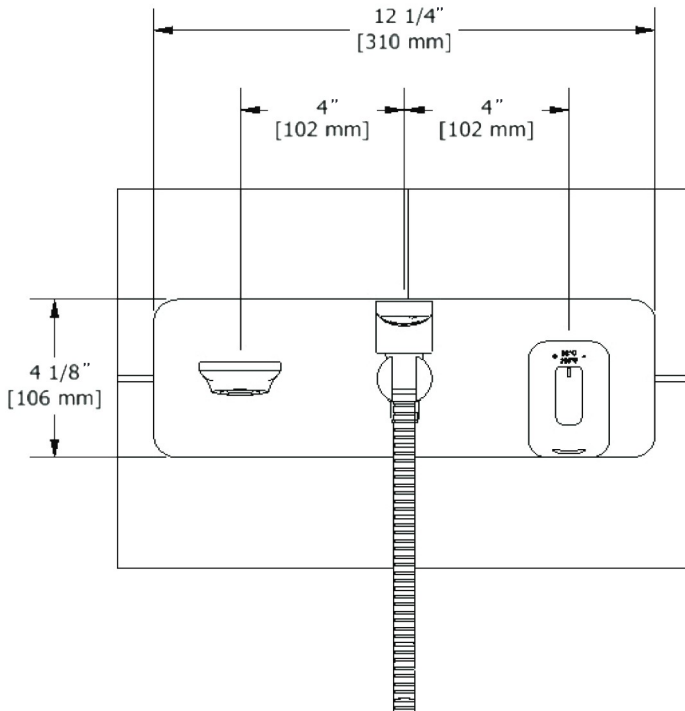
- Most products or parts carry "Limited Warranties" against manufacturing defects. For US customers please visit houseofrohl.com/support and for Canadian customers please visit houseofrohl.ca/support for complete product and finish warranty.



Equinox

Wall-mount Type T/P (thermostatic/pressure balance) coaxial tub filler with hand shower

MODELS: TEQ21



For warranty or additional information, contact:

US Customers

U.S.A.
houseofrohl.com/support
 1-800-777-9762

QUEBEC / MARITIMES / WESTERN CANADA
 QUÉBEC / MARITIMES / OUEST CANADIEN
 QUEBEC / MARITIMOS / CANADA OCCIDENTAL
houseofrohl.ca/support
 1-866-473-8442

Canadian Customers

ONTARIO
houseofrohl.ca/support
 1-800-287-5354