

SPECIFICATIONS

DESCRIPTION

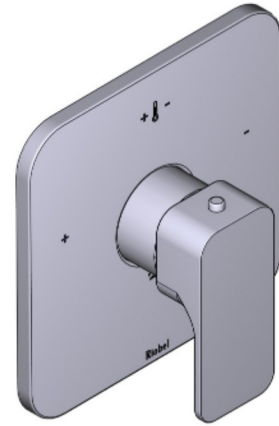
- Temperature control only
- 1005N Rough-in valve sold separately: 1005N
- Volume control(s) required

STANDARDS

- ASME A112.18.1

WARRANTY

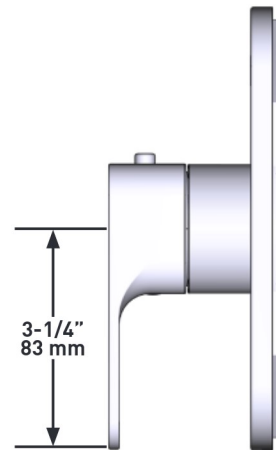
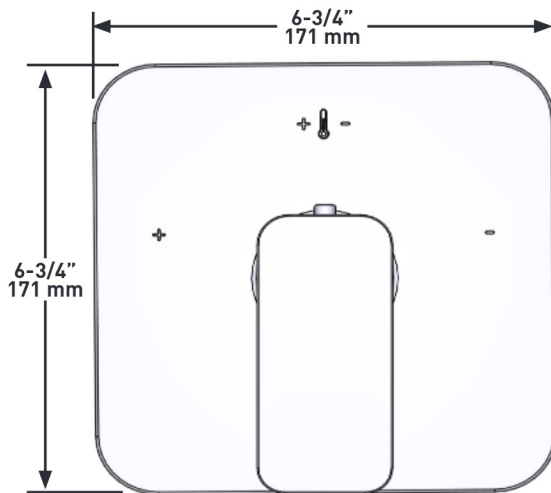
- Most products or parts carry "Limited Warranties" against manufacturing defects. For US customers please visit houseofrohl.com/support and for Canadian customers please visit houseofrohl.ca for complete product and finish warranty.



Equinox 3/4" Thermostatic Trim
Without Volume Control

MODEL: TEQ13W1

cUPC®



For warranty or additional information, contact:

U.S.A.
houseofrohl.com/support
1-800-777-9762

QUEBEC / MARITIMES / WESTERN CANADA
QUÉBEC / MARITIMES / OUEST CANADIEN
QUEBEC / MARITIMOS / CANADA OCCIDENTAL
houseofrohl.ca/support
1-866-473-8442

ONTARIO
houseofrohl.ca/support
1-800-287-5354