

## SPECIFICATIONS

### DESCRIPTION

- 4 positions (OFF, 1, 2, 3) share
- R45, R45-SPEX or R45-EX rough required to complete
- Thermostatic / pressure balance coaxial cartridge with check valves
- Trim only

### FLOW

- 19 L/min, 5.0gpm (US) 60psi
- Type TP - For use with shower heads rated at 7L/min (1.8 gpm) or higher

### STANDARDS

- CSA B125.1 / ASME A112.18.1
- ASSE 1016
- ADA

### WARRANTY

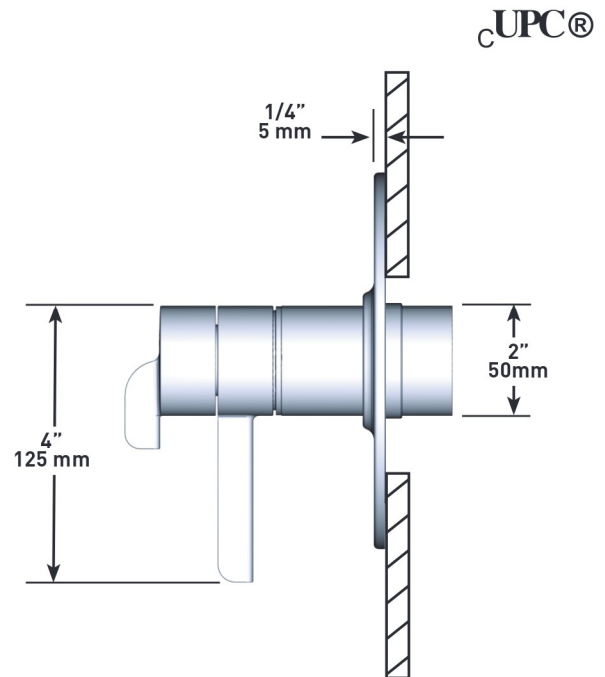
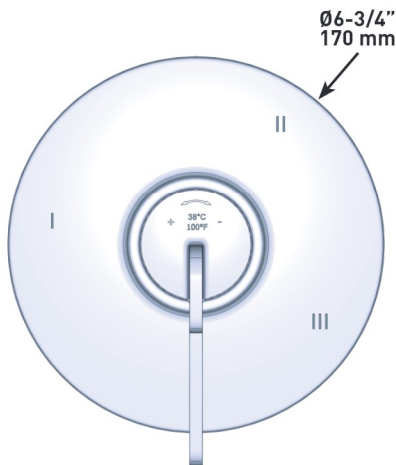
- Most products or parts carry "Limited Warranties" against manufacturing defects. For US customers please visit [houseofrohl.com/support](http://houseofrohl.com/support) and for Canadian customers please visit [houseofrohl.ca/support](http://houseofrohl.ca/support) for complete product and finish warranty.



### AUTHENTICA

3-way no share Type T/P (thermostatic/pressure balance) coaxial valve trim

**MODELS:** TAU47 SERIES



**For warranty or additional information, contact:**

U.S.A.  
[houseofrohl.com/support](http://houseofrohl.com/support)  
 1-800-777-9762

QUEBEC / MARITIMES / WESTERN CANADA  
 QUÉBEC / MARITIMES / OUEST CANADIEN  
 QUEBEC / MARITIMOS / CANADA OCCIDENTAL  
[houseofrohl.ca/support](http://houseofrohl.ca/support)  
 1-866-473-8442

ONTARIO  
[houseofrohl.ca/support](http://houseofrohl.ca/support)  
 1-800-287-5354