

## SPECIFICATIONS

### DESCRIPTION

- Trim only
- RHTB, RHTB-SPEX or RHTB-EX rough required to complete
- Ceramic cartridge
- 1-Jet hand shower/scale free

### FLOW

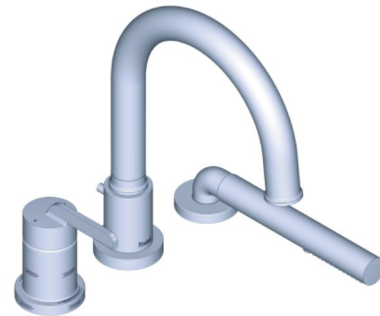
- 33 L/min, 8.7 gpm (US) 60psi

### STANDARDS

- ASME A112.18.1 / CSA B125.1
- ADA

### WARRANTY

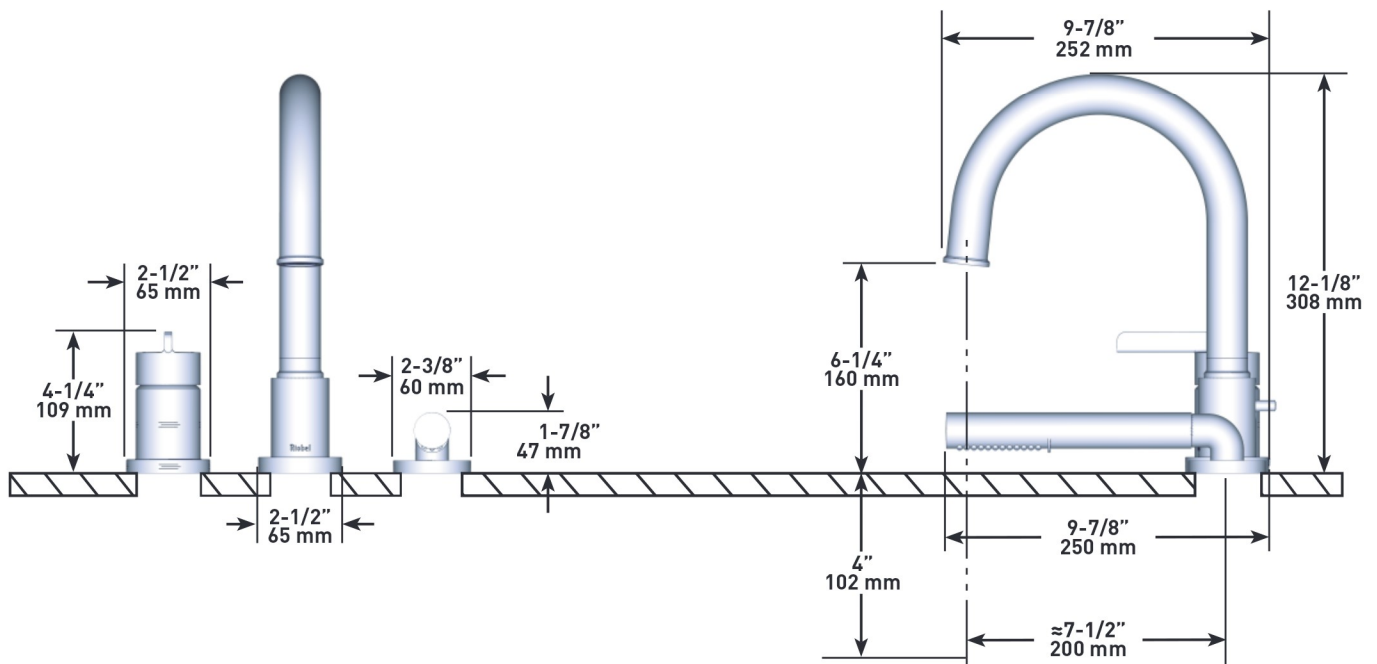
- Most products or parts carry "Limited Warranties" against manufacturing defects. For US customers please visit [houseofrohl.com/support](http://houseofrohl.com/support) and for Canadian customers please visit [houseofrohl.ca/support](http://houseofrohl.ca/support) for complete product and finish warranty.



### AUTHENTICA

3-Piece deck-mount tub filler with hand shower trim

**MODELS:** TAU10 SERIES



For warranty or additional information, contact:

U.S.A.  
[houseofrohl.com/support](http://houseofrohl.com/support)  
 1-800-777-9762

QUEBEC / MARITIMES / WESTERN CANADA  
 QUÉBEC / MARITIMES / OUEST CANADIEN  
 QUEBEC / MARITIMOS / CANADA OCCIDENTAL  
[houseofrohl.ca/support](http://houseofrohl.ca/support)  
 1-866-473-8442

ONTARIO  
[houseofrohl.ca/support](http://houseofrohl.ca/support)  
 1-800-287-5354