

# SAMUEL HEATH

**Product Number:** T2001-TCTL-CP

**Description:** Trim set for V134-AIS thermostatic valve, one volume control



## Standards

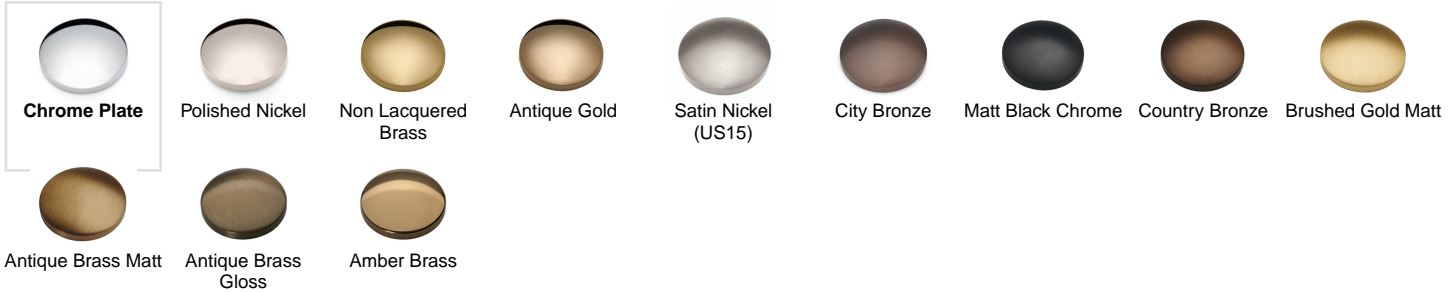


## Flow rates

| Gallons/Min | 1.5 PSI | 7.3 PSI | 14.5 PSI | 29.0 PSI | 43.5 PSI | 58.0 PSI | 72.5 PSI |
|-------------|---------|---------|----------|----------|----------|----------|----------|
|             |         | 2.7     | 4.2      | 6.5      | 7.8      | 8.9      | 9.9      |

Flow rate data provided is indicative of each product and is given in open outlet conditions. Installation design, external connections and fittings not supplied may affect the data provided.

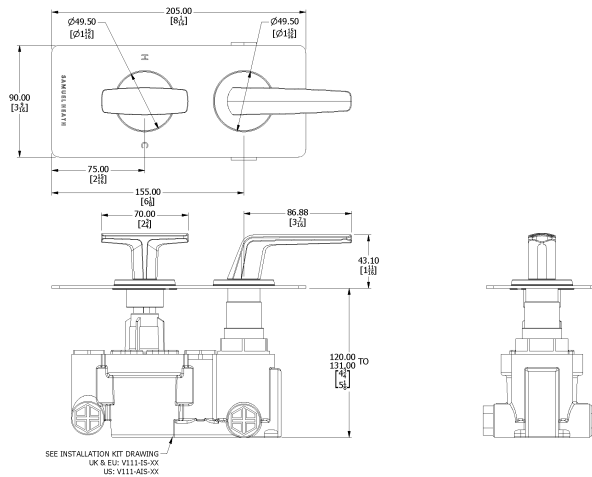
## Finishes Available



## Control Options Available



## Specification Drawing



**UK Customer Service**  
Leopold Street  
Birmingham  
B12 0UJ  
Tel: +44 121 766 4200  
Email: info@samuel-heath.com

**US Customer Service**  
Federal I.D. No. 58-1504682  
Email: usa@samuel-heath.com

**Specification Enquiries**  
Design Centre Chelsea Harbour  
1st Floor, North Dome, London  
SW10 0XE  
Tel: 020 7352 0249  
Email: showroom@samuel-heath.com