

# SAMUEL HEATH

**Product Number:** T1007-LB-R51

**Description:** Trim set for V607-AIS volume control



## Standards



## Flow rates

| Gallons/Min | 1.5 PSI | 7.3 PSI | 14.5 PSI | 29.0 PSI | 43.5 PSI | 58.0 PSI | 72.5 PSI |
|-------------|---------|---------|----------|----------|----------|----------|----------|
| 1/2" Feed   |         |         |          |          |          |          |          |
| 3/4" Feed   |         | 1.6     | 5.9      | 7.7      | 9.0      | 10.1     | 10.8     |

Flow rate data provided is indicative of each product and is given in open outlet conditions. Installation design, external connections and fittings not supplied may affect the data provided.

## Finishes Available



Chrome Plate



Polished Nickel



Satin Nickel (US15)



Stainless Steel with Matt Black



City Bronze



Matt Black Chrome



Brushed Gold Matt



Polished nickel with gloss black chrome



Brushed Gold matt with City Bronze



Stainless steel finish with City Bronze



Antique Gold with gloss black chrome

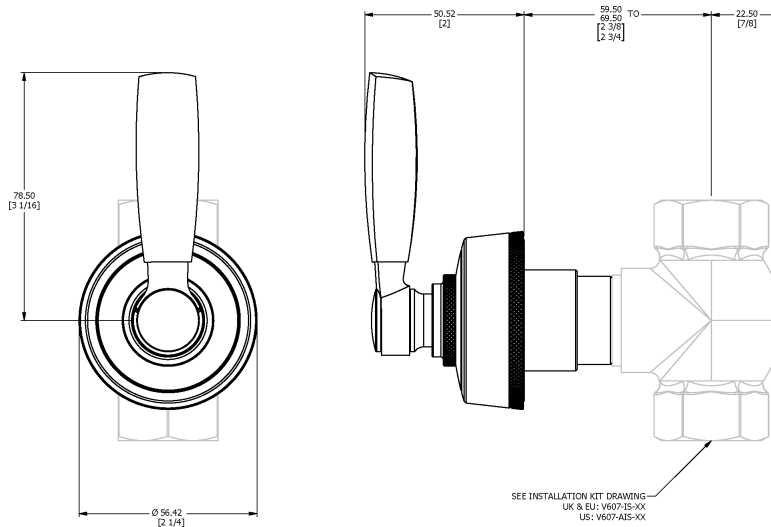


Antique Brass Matt

## Control Options Available



## Specification Drawing



### UK Customer Service

Leopold Street  
 Birmingham  
 B12 0UJ  
 Tel: +44 121 766 4200  
 Email: info@samuel-heath.com

### US Customer Service

Federal I.D. No. 58-1504682  
 Email: usa@samuel-heath.com

### Specification Enquiries

Design Centre Chelsea Harbour  
 1st Floor, North Dome, London  
 SW10 0XE  
 Tel: 020 7352 0249  
 Email: showroom@samuel-heath.com