

# SYDNEY 6036



## DESIGNER COLLECTION

### As SHOWN:

Whirlpool option (top)

LH Tile Flange and Skirt (bottom)

### FEATURES SHOWN:

- Overflow location
- Standard jet location

### ALSO AVAILABLE:

- Soaking tub only
- Thermal Air
- Combo

### SIZE:

60.36.20

### BACKSLOPE:

28 degrees

### WATER CAPACITY:

69 Gallons

### WEIGHT:

115 - 155 pounds depending on system

### 3-WALL INSTALL DIMENSIONS:

- (L)ength - 60"
- (W)idth - 36"
- Top of Ledger - 20-3/4"

### INSTALLATION TIPS:

- When adding integral linear drain p-trap location now below waste
- Adding multiple systems/options may require equipment to stick out from tub deck or be installed remotely

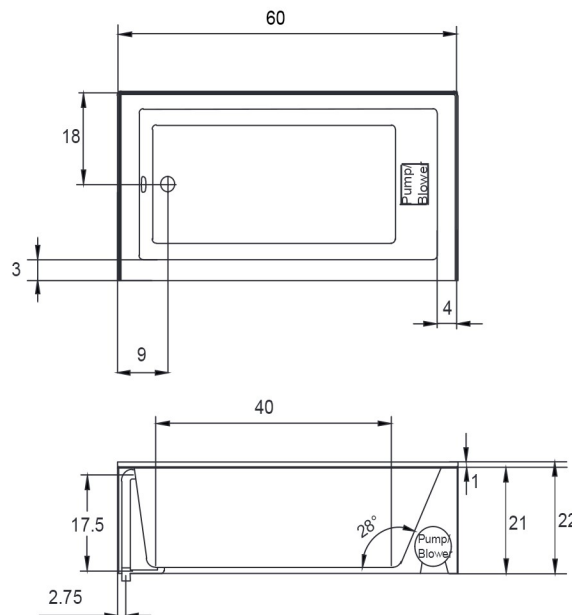
### CODES AND COMPLIANCES

Massachusetts code File no: P1-0614-491



### ACRYLIC TUB

- \*Tub must be set in mortar base\*
- Acrylic models finished in 1/8" thick layer of deep lustrous acrylic
- Pre-wired pump on pump platform (standard pump location only)
- Integral E-Z level platform facilitates installation



### Optional Equipment Dimensions

- Whirlpool Pump: 12"(H) x 16"(L)
- Thermal Air Blower: 5"(H) x 11"(L)
- Hydro Fusion: 7"(H) x 15.5"(L)
- Hydro Indulge: 11"(H) x 19"(L)

