

Features

- Solid brass and copper construction
- Traditional styling with oval handle
- Kit includes:
 - Rigid Supply Tube (Copper), 3/8" O.D. X 13" Length with Flat Head outlet design for toilet connection
 - Angle Valve (Brass), 1/2" Compression Inlet and 3/8" O.D. Compression Outlet
 - Flange (Brass), with Sure Grip Interface

Toilet Supply Kit

495



Codes / Standards Compliance

Meets or exceeds the following at date of manufacture:

- ASME A112.18.1/CSA B125.1
- IAMPO/cUPC
- NSF/ANSI/CAN 61, SECTION 9
- NSF/ANSI 372
- IPC
- All applicable US Federal and State material regulations

Colors / Finishes

- 10B: Oil Rubbed Bronze
- 15: Polished Nickel
- 15S: Satin Nickel - PVD
- 26: Polished Chrome
- Other: Refer to the Newport Brass catalog for additional color/finish options.



Specified Model

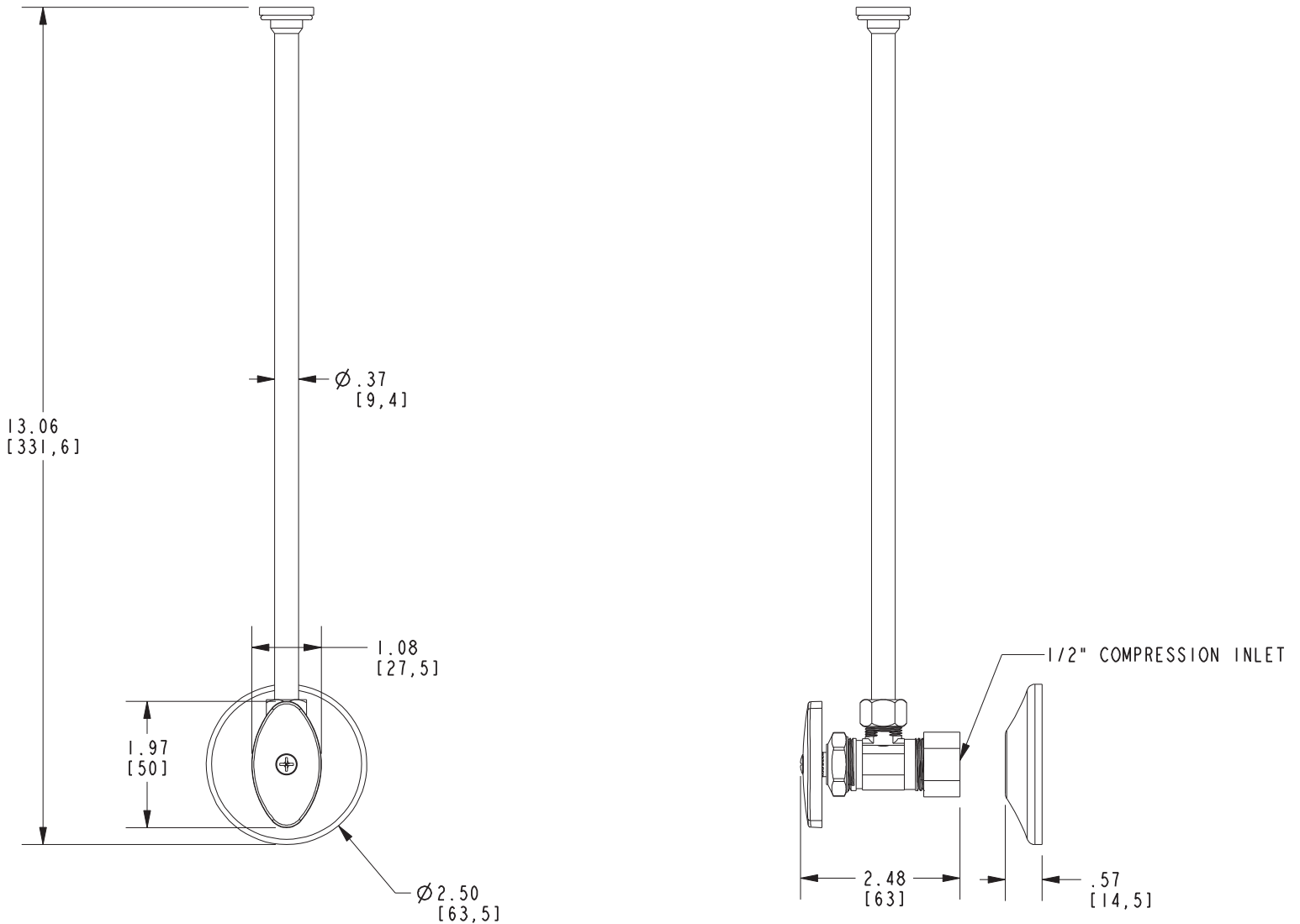
Model	Description	Colors Finishes
495	Tank & Lavatory Toilet Supply Kit	<input type="checkbox"/> 10B <input type="checkbox"/> 15 <input type="checkbox"/> 15S <input type="checkbox"/> 26 <input type="checkbox"/> Other

Product Specification Add "Color / Finish" suffix to Model number, below.

The Toilet Supply Kit shall be of solid brass and copper construction and incorporate traditional styling. Kit shall include a copper rigid supply tube having a 3/8" O.D. and a length of 13" with a flat head outlet for interface to a toilet inlet (fitting not included). Kit shall include a brass angle valve having a 1/2" compression Inlet and a 3/8" O.D. compression outlet. Kit shall include a brass Sure Grip flange to interface between the wall and the nipple. Toilet Supply Kit shall be Newport Brass Model 495/____.

495

Product Dimensions are provided for reference only. For specific product installation guidelines, please reference the Installation Instructions of the product being installed.



Brasstech Tank & Lavatory Toilet Supply Kit 495