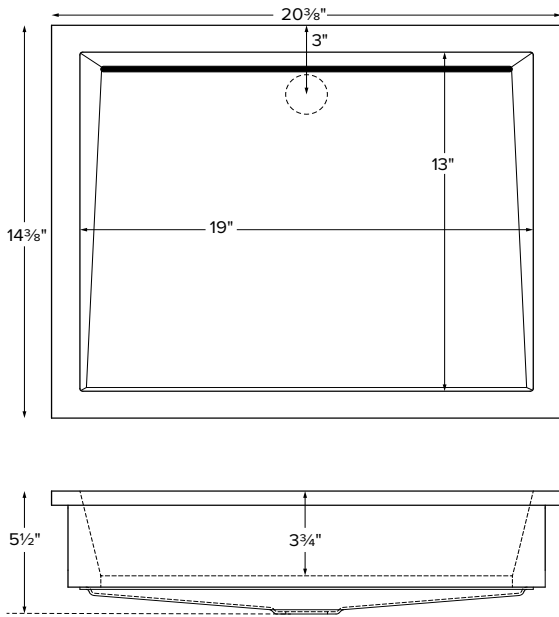


Incline 2



The Incline is an undermount only sink, with a slotted drain at the rear of the bowl.

MODEL 770
20.375" x 14.375" x 5.5" Bowl: 19" x 13"
UNDERMOUNT ONLY
<b>SculptureStone®</b>
25 lbs / 11 kg



Due to its handcrafted nature, always measure sink on-site to ensure cut-out accuracy when undermounting.

**ORDERING AND INSTALLATION**

- Slotted drain with ABS trough and chrome finish brass tailpiece
- No overflow available. Check local codes.
- undermount only. Measure on site to achieve the proper cut-out size.
- Lip detail will accommodate commonly used undermount hardware. undermount hardware is not included.
- One-piece construction using Engineered SculptureStone® (ESS) material.
- Non-porous, stain-, mold- and mildew-resistant SculptureStone®
- Material is approximately 70% organic
- Five-Year Limited Residential Warranty

Finish	Part #	MSRP
soft matte white	MTCS770	
hand-polished gloss white	MTCS770GL	

**Options** Must be ordered at time of purchase

**Biscuit Color Upgrade** (SSBISNK)  
Additional material colors available for projects only. Please call MTI.

**Quick Ship** (QSPRI3) reduces lead time  
Please call for availability.

**Accessories** Must be ordered at time of purchase

**Drain Kit** included with sink with ABS drain trough and chrome finish brass tailpiece.



Drain assembly included with sink.



Also available, Incline Counter-Sink 2, featuring custom-size countertop with integrated bowl. Offered in single and double bowl configurations..

• Before discarding packaging, check for accessories that may be inside.  
• All product measurements are ±1/2".  
• Specifications and configurations are subject to change without notice.  
• Measurements herein supersede all others published prior to publication date below.

