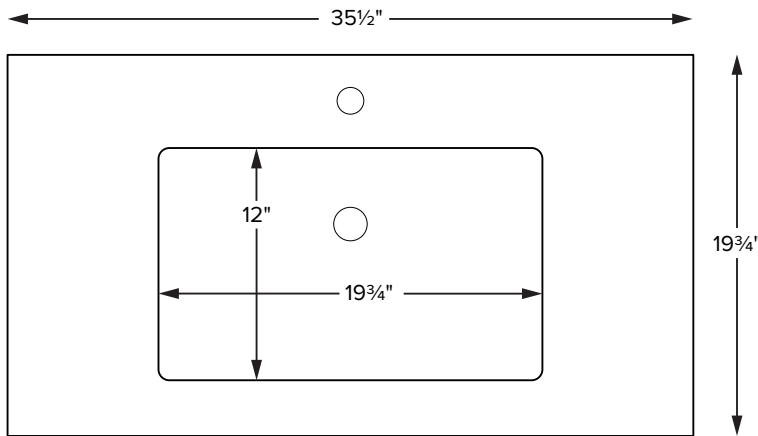


acquabella®

Zermatt 90



MODEL 661
35½" x 19¾" x 4.75"
WALL-MOUNTED
Mineral Composite
51 lbs / 23 kg



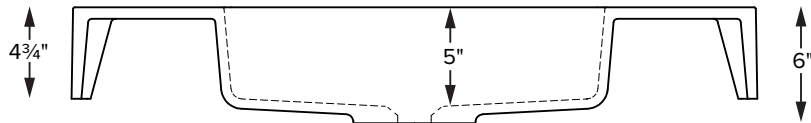
Sink Options and Pricing

Part # and Description

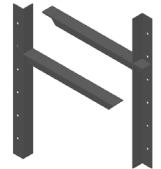
661M Matte White, Exterior Only **\$800**

ORDERING AND INSTALLATION

- 1.75" drain opening
- Accommodates 1.25" to 1.5" OD lavatory drain kit
- Not available with an overflow
- One-piece construction
- Limited Lifetime Residential Product Warranty



2" x 12" carrier arms
(CCA2WM)
recommended for
installation



Base dimensions on counter top: 5" in diameter
Always measure sink on-site to ensure cut-out accuracy.

- Before discarding packaging, check for accessories that may be inside.
- All product measurements are ±1/2".
- Specifications and configurations are subject to change without notice.
- Measurements herein supersede all others published prior to publication date below.

CSA # MMCB-661

©2024 by MTI Baths, Inc. Modification Rights Reserved

1 of 1



Rev. 05 14 2024