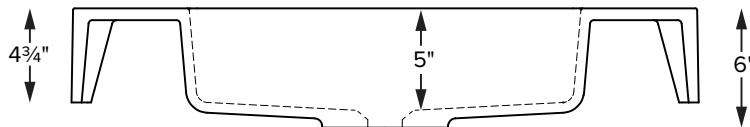
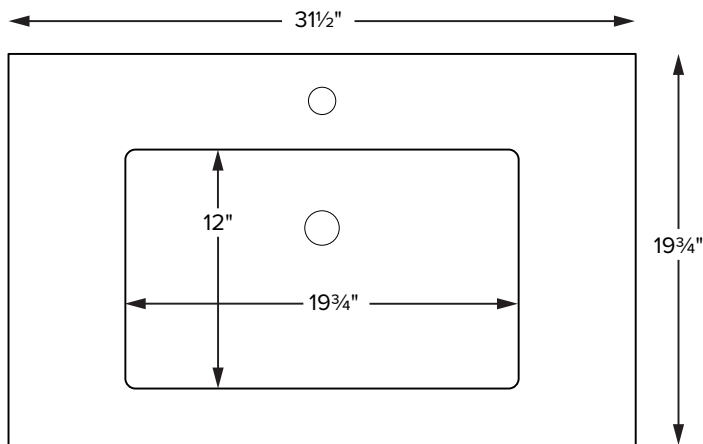


# acquabella®

## Zermatt 80



MODEL 660
31.5" x 19.75" x 4.75"
WALL-MOUNTED
<b>Mineral Composite</b>
46 lbs / 21 kg



Base dimensions on counter top: 5" in diameter  
Always measure sink on-site to ensure cut-out accuracy.

### Sink Options and Pricing

#### Part # and Description

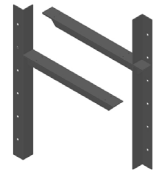
**660M** Matte White

**\$725**

### ORDERING AND INSTALLATION

- 1.75" drain opening
- Accommodates 1.25" to 1.5" OD lavatory drain kit
- Not available with an overflow
- One-piece construction
- Limited Lifetime Residential Product Warranty

2" x 12" carrier arms  
(CCA2WM)  
recommended for  
installation



- Before discarding packaging, check for accessories that may be inside.
- All product measurements are  $\pm 1/2"$ .
- Specifications and configurations are subject to change without notice.
- Measurements herein supersede all others published prior to publication date below.

CSA # MMCB-660

©2024 by MTI Baths, Inc. Modification Rights Reserved

1 of 1



Rev. 05 14 2024