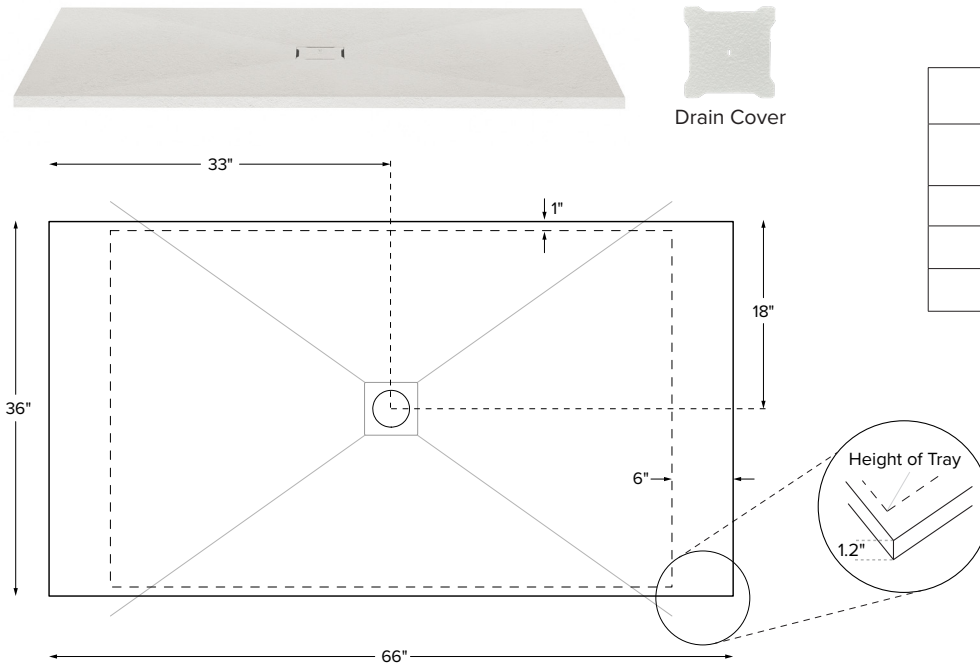


|  |
|--|
| 66" x 36" x 1.2"                               |
| MULTI, LOW-PROFILE THRESHOLD<br>textured floor |
| Center Drain                                   |
| <b>Mineral Composite</b>                       |
| 149 lbs / 68 kg                                |



| Model #      | Texture | Description                         | Color / Finish | MSRP           |
|--------------|---------|-------------------------------------|----------------|----------------|
| SBB6636C     | Pizarra | Matching Pizarra hidden drain cover | White Matte    | <b>\$2,300</b> |
| SBB6636Cxxx* |         |                                     | Optional Color |                |

### Options Must be ordered at time of purchase

#### Finish/Color (no charge)

|                  |                   |
|------------------|-------------------|
| Sand (SND)       | Charcoal (MCH)    |
| Matte Gray (MGY) | Matte Black (MBK) |

\* Replace "XXX" with color code in Options section

### ORDERING AND INSTALLATION

- 3.5" drain opening pre-drilled.
- Drain cover included. Check packaging carefully.
- Designed to install on a flat, level subfloor. See installation instructions.
- All bases are in accordance with CSA B45.5/IAPMO Z124 standard and compliant with ASTM C 1028-07 coefficient of friction.

### Accessories

#### Teak Shower Seat

##### Premium

- Natural Stainless (TK-SSEAT2416BNS) **\$3,125**
- High-Polished Stainless (TK-SSEAT2416BHP) **\$3,570**

##### Standard

- Natural Stainless (TK-SSEAT2215NS) **\$1,160**
- High-Polished Stainless (TK-SSEAT2215HP) **\$1,620**

**Teak Bath Mat (TKMAT3018) \$840** Measures 30" x 17.5" x 1"  
Custom sizes also available. Contact MTI for details.

### Recommended Drain Kits

- Oatey 42099
- Westbrass D206P

- Options and accessories may be packaged inside the box. Always check packaging before discarding.
- All product measurements are ±1/2".
- Specifications and configurations are subject to change without notice.
- Measurements herein supersede all others published prior to publication date below.

See the Installation & Operation Manual for more details.

MTI's Customer Service: Monday-Friday 8am-6pm EST

**800-783-8827** or [service@mtibaths.com](mailto:service@mtibaths.com)

CSA # MCSB-B6636

©2024 by MTI Baths, Inc. Modification Rights Reserved