

# RUBY 6042-16



## STON COLLECTION

### As SHOWN:

Whirlpool option

### FEATURES SHOWN:

- Overflow location
- Standard jet location

### ALSO AVAILABLE:

- Soaking tub only
- Thermal Air
- Combo

### BACKSLOPE:

35 degrees

### WATER CAPACITY:

70 Gallons

### WEIGHT:

160 - 200 Pounds depending on system

### DROP-IN INSTALLATION DIMENSIONS:

- (L)ength- 58"
- (W)idth- 40"
- (H)eight- 15-1/2"

### 3-WALL INSTALLATION DIMENSIONS:

- (L)ength- 60"
- (W)idth- 42"
- Top of Ledger- 15-1/2"

### INSTALLATION TIPS:

- When adding integral linear drain p-trap location is now below waste
- Adding multiple systems/options may require equipment to stick out from tub deck or be installed remotely

### CODES AND COMPLIANCES

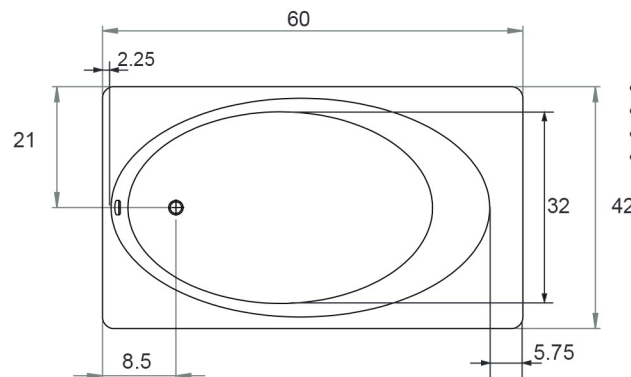
Massachusetts code File no: P1-0614-491



\*Tub must be set in mortar base\*

### Hydroluxe SS Tub

- Hydroluxe SS model finished in 1-2" thick solid surface material
- Pre-wired pump on pump platform (standard pump location only)
- Integral E-Z level platform facilitates installation
- Micro mount reduces standard edge height of tub to nominal 1/2"
- Micro mount requires increase in framing height by an additional 1-1/4"



### Optional Equipment Dimensions

- Whirlpool Pump: 12"(H) x 16" (L)
- Thermal Air Blower: 5"(H) x 11" (L)
- Hydro Fusion: 7"(H) x 15.5" (L)
- Hydro Indulge: 11"(H) x 19" (L)

